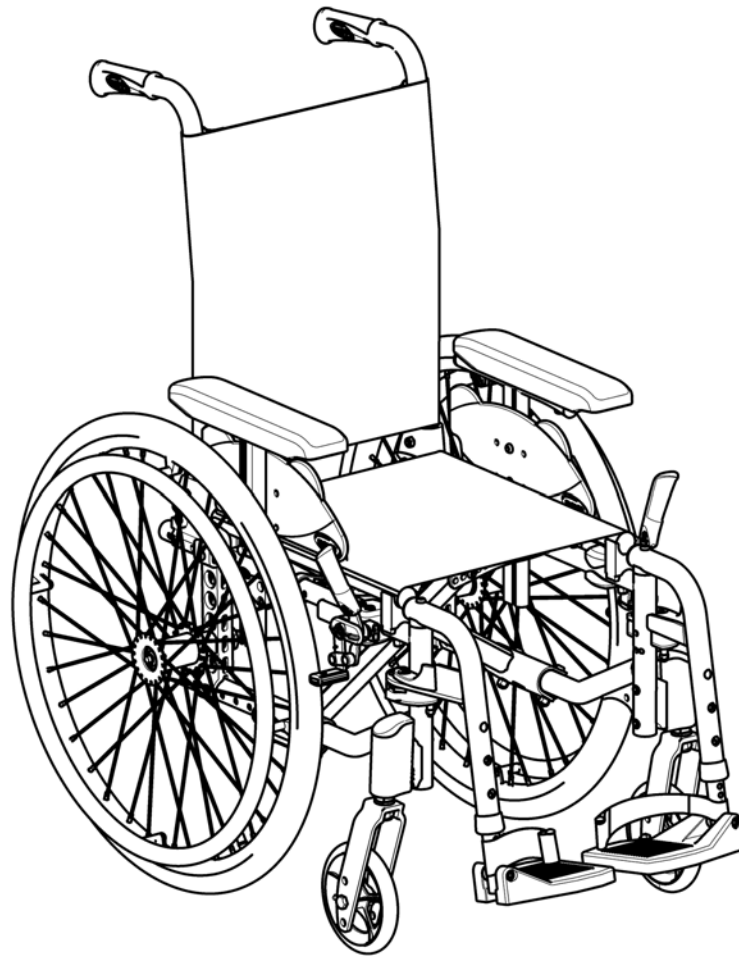


Invacare[®] Action^{®3} Junior

SERVICE MANUAL

(MAINTENANCE AND ADJUSTMENT)

The procedures in this manual MUST be performed by a qualified technician.



Yes, you can.[®]

TABLE OF CONTENTS

SECTION 1—TROUBLESHOOTING AND MAINTENANCE	4
General information.....	4
Troubleshooting.....	4
Maintenance Guidelines	4
Tightened Torques.....	5
Suggested Maintenance Procedures	5
Stability Warning.....	6
SECTION 2—FRONT HANGERS.....	7
Adjusting Footrest Height	7
Replacing Heel Strap	8
Installing Calf Strap	8
One Piece Footboard Adjustments	8
Installing Angle Adjustable Footplate	9
Adjusting the Legrest Angle	9
Adjusting the Footplate Height.....	9
Adjusting Calfpad Height.....	10
Adjusting the Hanger Abduction Angle.....	10
SECTION 3—ARMRESTS	11
Removing/Installing Removable Armrest.....	11
Adjusting Removable Armrest Height.....	11
Removing/Installing and Adjusting Mudguard.....	12
Replacing Armrest Arm Pad.....	13
SECTION 4—SEAT/BACK.....	13
Removing Back Canes	14
Removing/Installing Seat Upholstery	14
Removing/Installing Standard Back Upholstery.....	14
Adjusting Cross Brace Width (Evolutive version)	15
Contour (Adjustable) Back Upholstery	17
Installing/Replacing Contour (Adjustable) Back Upholstery	17
Adjusting the Height Adjustable Back	19
Adjusting the Back Angle backrest.....	19
Installing/Replacing Fixed/Folding backrest	19
Installing/Replacing Recliner backrests	20
Removing/Installing/Adjusting the Back-Cane Bracket	21
Installing/Removing Seat Posture Belt.....	22
Installing/Removing the Back brace (Evolutive version).....	23

TABLE OF CONTENTS

SECTION 5—REAR WHEELS/FRONT CASTERS.....	24
Removing/Installing Rear Wheels.....	24
Fixed Axles, Transit version.....	24
Quick-Release Axles.....	26
Adjusting Quick-Release Axles.....	27
Replacing Handrims.....	27
Adjusting the Wheelbase Length.....	28
Adjusting Rear Wheel Height.....	29
Replacing/Repairing Rear Wheel Front Castor Tire/Tube.....	30
Adjusting Forks.....	31
Removing/Installing/Repositioning the Castor Assemblies.....	32
Adjusting Castor Angle.....	32
Adjusting Castor Assembly Position.....	33
SECTION 6—SEAT-TO-FLOOR HEIGHT.....	34
Seat Angle.....	34
Measuring Seat-to-Floor Height.....	35
Changing Seat-to-Floor Height.....	35
SECTION 7—WHEEL BRAKES.....	37
Adjusting Wheel Brakes.....	37
Replacing Wheel Lock Handle.....	38
Installing/Adjusting Hub Brakes.....	39
SECTION 8—OPTIONS.....	41
Installing/Adjusting Swing Away Tray.....	41
Installing/Adjusting Headrest.....	42
SECTION 9—ANTI-TIPPERS.....	43
Installing/Adjusting Simple Anti-Tippers.....	43
Installing/Adjusting Anti-Tippers with tipping Aid.....	44
Adjusting Anti-Tippers.....	45
SECTION 10—PERIODIC MAINTENANCE GUIDELINES.....	46
Initially.....	46
Weekly/Monthly/Annually.....	47

SECTION 1 — TROUBLESHOOTING AND MAINTENANCE GUIDELINES

General Information

User manual and pre-sales information:

For pre-sales information and user manual related to this wheelchair, please consult the www.invacare.eu.com website.

Adjustment and/or combination of options with wheelchair configuration:

Always refer to appropriate European Prescription Form (EPF) when you intend to adjust or to add an option. In the EPF there is a list of non-compatibilities that you may consult before any change of configuration or adjustment. Please contact your Invacare local contact for further information.

NOTE: Please recommend the user to follow the rules mentioned in the User Manual about Maintenance Schedule, Cleaning and Troubleshooting sections.


Troubleshooting:

Fault	Possible cause	Action
The wheelchair does not travel in a straight line	Incorrect tire pressure on one rear wheel	Correct tire pressure
	One or more spokes broken	Replace faulty spoke(s), → authorized dealer
	Spokes tightened unevenly	Tighten loose spokes, → authorized dealer
	Front wheel bearings are dirty or damaged	Clean or replace the bearings, → authorized dealer
The wheelchair tips backwards too easily	Rear wheels are mounted too far forwards	Mount the rear wheels further back, → authorized dealer
	Back angle too large	Reduce the backrest angle, → authorized dealer
	Seat angle too large	Mount the front wheel upper on the front fork, → authorized dealer Select a smaller front fork, → authorized dealer
The brakes are gripping poorly or asymmetrically	Incorrect tire pressure in one or both rear tires	Correct tire pressure
	Brake setting incorrect	Correct the brake setting, → authorized dealer
Rolling resistance is very high	Tire pressure in rear tires is too low	Correct tire pressure
	Rear wheels not parallel	Ensure the rear wheels are parallel, → authorized dealer
The front wheels wobble when moving fast	Too little tension in front wheel bearing block	Tighten the nut on the bearing block axle slightly, → authorized dealer
	Front wheel has worn smooth	Change front wheel, → authorized dealer
The front wheel is stiff or stuck	Bearings are dirty or faulty	Clean or replace the bearings, → authorized dealer
The wheelchair is very difficult to unfold	Backrest cover is too tight	Loosen the Velcro bands of the backrest cover a little


WARNING

Risk of injury or property damage


The information contained in this manual must be performed by a qualified technician. Invacare expects that the qualified technician is familiar with the product, with good technical knowledge to understand and follow the steps of the described instructions in this manual and equipped with proper tools. - Installation, mounting, maintenance or repairs made by unqualified persons can result in hazardous situations to you and others. - Failure to carefully read and follow all instructions in this manual can result in equipment malfunction, property damage, personal injury and/or death.

 CAUTION

It is compulsory to use original Invacare spare parts which you can obtain from any Invacare subsidiaries. A list of spare parts is available at www.invacare.eu.com

 WARNING

After ANY adjustments, repair, or service and before use, make sure all attaching hardware is tightened securely - otherwise injury or damage may occur.

 CAUTION

DO NOT over tighten hardware attaching to the frame. This could cause damage to the frame tubing.

Tightening torques


The tightening torques stated in the following table are dependent on the thread diameters for the nuts and bolts for which no special values are determined. All values apply to dry and grease-free threads.

Thread	M4	M5	M6	M8	M10/12
Tightening torque in Nm mini/max	1,5/3 Nm	3/6 Nm	7/12 Nm	10/20 Nm	20/30 Nm

Caution: All other nuts not noted here must be tightened FINGERTIGHT!


Suggested Maintenance Procedures

1. Before using your wheelchair, make sure all nuts and bolts are tight. Check all parts for damage or wear and replace. Check all parts for proper adjustment.
2. Keep quick release axles free of dirt and lint to ensure positive locking and proper operation. Refer to [Adjusting Quick Release Axles](#) paragraph, on section 5.

 WARNING

DO NOT use WD-40, 3-in-1 oil, or other penetrating lubricants on Quick-Release axles. Otherwise, binding and/or damage to the wheelchair may occur.

3. Clean quick release axles once a week with a Teflon lubricant.

 WARNING

DO NOT use your wheelchair unless it has the proper tire pressure (BAR, KPa or P.S.I.). DO NOT over inflate the tires. Failure to follow these suggestions may cause the tire to explode and cause bodily harm. The recommended tire pressure is on the sidewall of the tire.

4. Recommended tire pressure is listed on the sidewall of the tire (BAR, KPa or P.S.I.).

 CAUTION

As with any vehicle, the wheels and tires should be checked periodically for cracks and wear and should be replaced if damaged.

5. The wheels, castors and tires should be checked periodically for cracks and wear and should be replaced when necessary.
6. Regularly check for loose spokes in the rear wheels. If loose, have them adjusted.
7. Periodically check handrims to ensure they are secured to the rear wheels. Refer to Replacing Handrims paragraph, on section 5.
8. Periodically check castor wheel bearings to make sure they are clean and free from moisture. Use a Teflon® lubricant if necessary.
9. Check upholstery for sagging, rips, or tears.
10. Clean upholstery with mild soap and water.

Stability Warning

The seat height, seat depth, back angle, seating system/upholstery, size/position of the rear wheels, size/position of the front castors, seating options (e.g. headrest, back bag, ...) as well as the user condition directly relate to the stability of the wheelchair. Any change to one or any combination of the nine may cause the wheelchair to increase/decrease in stability.

<i>NOTE: When changes to the left hand column occur, follow across the chart and refer to the X procedure to maintain the proper stability, safety and handling of the wheelchair.</i>	SEAT HEIGHT	SEAT DEPTH	BACK ANGLE	SEATING SYSTEM/UPHOLSTERY	CASTOR SIZE	CASTOR POSITION	REAR WHEEL SIZE	REAR WHEEL POSITION	USER CONDITION	WHEEL BRAKES	ANTI-TIPPERS
SEAT HEIGHT	•	X	X	X	X	X	X	X	N/A	N/A	N/A
SEAT DEPTH	X	•	X	X	X	X	X	X	N/A	N/A	N/A
BACK ANGLE	X	X	•	X	X	X	X	X	N/A	N/A	N/A
SEATING SYSTEM / UPHOLSTERY	X	X	X	•	X	X	X	X	X	N/A	N/A
CASTOR SIZE	X	N/A	X	N/A	•	X	X	X	N/A	X	X
CASTOR POSITION	X	N/A	X	N/A	X	•	X	X	N/A	X	X
REAR WHEEL SIZE	X	N/A	X	N/A	X	X	•	X	N/A	X	X
REAR WHEEL POSITION	X	N/A	X	N/A	X	X	X	•	N/A	X	X
USER CONDITION	X	X	X	X	X	X	X	X	•	N/A	N/A

Seat-to-floor heights have specific positions depending on rear wheel size, rear wheel position, front caster size/position and seat-to-floor angle.

SECTION 2—FRONT HANGERS

WARNING

After **ANY** adjustments, repair, or service and before use, make sure all attaching hardware is tightened securely - otherwise injury or damage may occur.

A 50 mm clearance between the bottom of the footplate and the ground/floor **MUST** be always maintained.

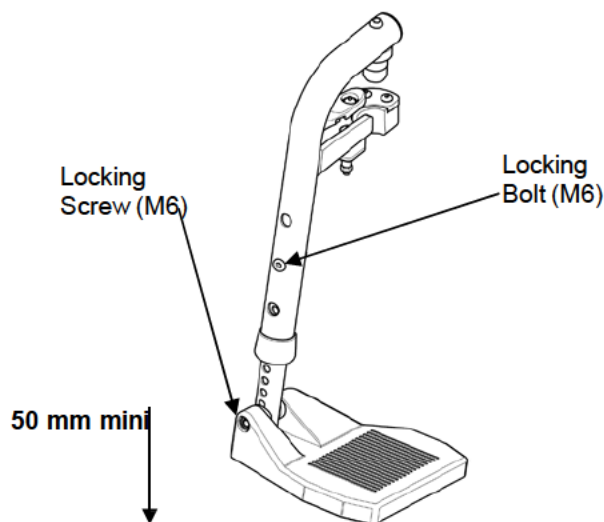
Adjusting Footrest Height


NOTE: For this procedure, refer to FIGURE 2.1.

1. Remove calf strap, if so equipped.
2. Unscrew locking screw and or locking bolt.
3. Position the footrest assembly to the desired height.

*NOTE: A 50 mm clearance between the bottom of the footplate and the ground/floor **MUST** be maintained always.*

4. If the distance between the bottom of footplate and the ground/floor is not 50 mm minimum, adjust footrest tube accordingly.
5. Using the locking screw and or the locking bolt with 5 mm Allen key and 10 mm Wrench, secure the footrest tube to the footrest support.
6. Securely tighten.
7. If necessary, repeat STEPS 2-5 to adjust remaining footrest.
8. Reinstall the calf strap, if so equipped.



 **FIGURE 2.1** Adjusting Footrest Height

Replacing Heel Strap

NOTE: For this procedure, refer to FIGURE 2.2.

1. Remove the locking bolt (5 mm Allen key and 10 mm Wrench) that secure the footrest tube to the footrest support.
2. Remove the lower footrest assembly.
3. Remove the mounting screw, strap pin that secure the heel strap to the footplate.
4. Slide heel strap over footrest tube.

NOTE: When securing the heel strap to the footrest assembly tighten the mounting screw and strap pin until they are secure.

5. Using the mounting screw, strap pin, secure the heel strap to the footplate.
6. Using the locking bolt with 5 mm Allen key and 10 mm Wrench secure the footrest tube to the footrest support.
7. Securely tighten (5 Nm).

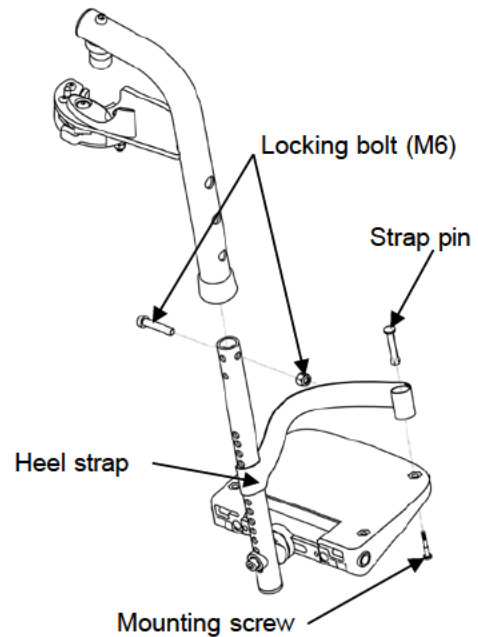


FIGURE 2.2 Replacing Heel Strap

One Piece Footboard Adjustments (Depth & Width)

NOTE: For this procedure, refer to FIGURE 2.3.

1. Loosen Mounting Screw (M6) securing the depth position.
2. Adjust to desired depth (3 positions), firmly tighten Mounting Screw (M6).
3. Loosen 4 Locking Bolts (M5) securing the footboard central part.
4. Slide outside parts to the desired width using the pre-set width position.
5. Firmly tighten 4 Locking Bolts (M5).

NOTE: For angle adjustment refer to Installing Angle Adjustable Footplate paragraph.

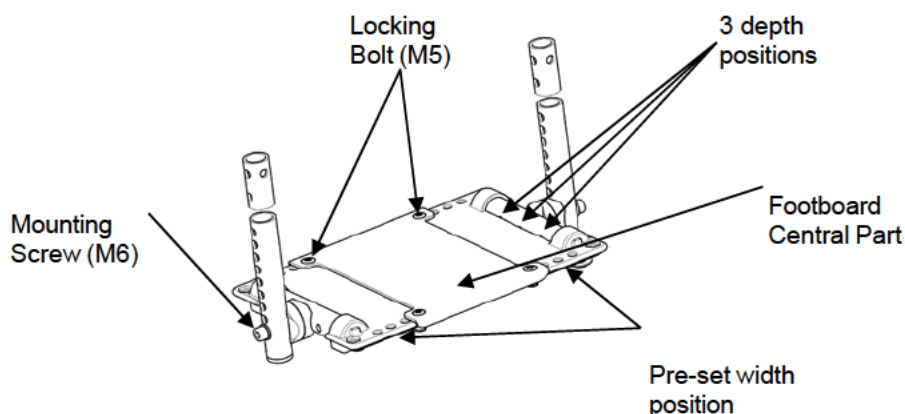


FIGURE 2.3 One Piece Footboard Adjustments

Installing Angle Adjustable Footplate

NOTE: For this procedure, refer to FIGURE 2.4.

NOTE: This procedure is for individual Angle Adjustable Footrests only.

1. Position the angle adjustable footplate on the footrest support tube at the desired height.
2. Using the locking screw, loosely secure the angle adjustable footplate to the footrest support tube.

NOTE: Refer to Adjusting Footrest Height paragraph.

3. Using the mounting screw, adjust to the desired angle (Tooth Plates) by rotating the footplate and depth by sliding the footplate into the tooth plates support.
4. Using the mounting screw (M6), secure the Angle Adjustable Footplate to the footrest tube. Securely tighten.
5. If necessary, repeat STEPS 1-4 to adjust remaining Angle Adjustable Footplate.

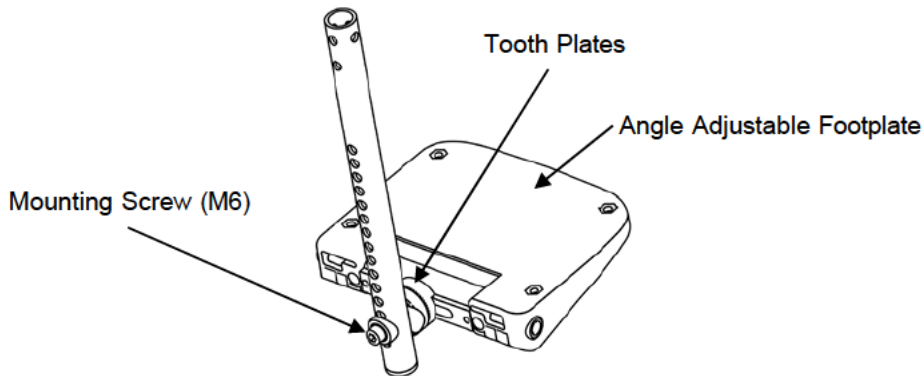


FIGURE 2.4 Installing Angle Adjustable Footplate

Adjusting Elevating Legrest Angle, Footplate height/angle and Calf Pad Height

NOTE: For this procedure, refer to FIGURE 2.5.

Adjusting the Legrest Angle

1. Loosen Locking Knob securing the rotating axle of the elevating legrest.
2. Adjust to desired angle, firmly tighten Locking Knob.
3. If necessary, repeat STEPS 1-2 to adjust remaining elevating legrest angle.

Adjusting the Footplate Height

1. Loosen Knob securing the slide tube to the elevating legrest.
2. Adjust into one of preset positions and firmly tighten the Knob (5 Nm).
3. If necessary, repeat STEPS 1-2 to adjust remaining footplate height.

Adjusting the Footplate Angle

1. Using the mounting screw (M6), adjust to the desired angle (Tooth Plates) by rotating the footplate.
2. Securely tighten mounting screw (M6).
3. If necessary, repeat STEPS 1-2 to adjust remaining footplate angle.

Adjusting Calf Pad Height

1. Loosen the fixing screw that secure the calf pad bracket to the elevating legrest assembly.
2. Slide the calf pad bracket up or down until the desired calf pad height is obtained.
3. Firmly tighten the fixing screw securing the calf pad bracket to the elevating legrest assembly.
4. If necessary, repeat STEPS 1-3 to adjust remaining calf pad bracket.

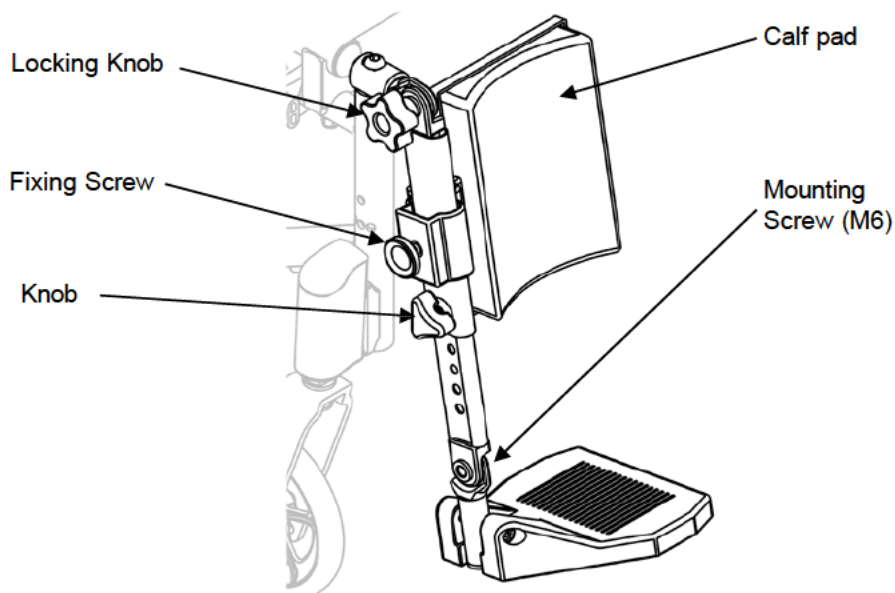


FIGURE 2.5 Adjusting Elevating Legrest Height and Calf Pad Height

Adjusting the Hanger Abduction Angle (2 positions 0° or 30°)

1. Loosen fixing screw (M5) securing the locking mechanism of the hanger on the vertical tube of the frame.
2. Adjust to desired angle (0° or 30°), firmly tighten fixing screw (M5).
3. If necessary, repeat STEPS 1-2 to adjust remaining hanger angle.

SECTION 3 — ARMRESTS

WARNING

After ANY adjustments, repair, or service and BEFORE use, make sure all attaching hardware is tightened securely - otherwise injury or damage may occur.

Removing/Installing and Adjusting Removable Armrests

NOTE: For this procedure, refer to FIGURE 3.1.

Removing/Installing removable armrest

NOTE: To remove the removable armrest, reverse this procedure.

1. Previously press on the locking mechanism (A) located at the bottom of the armrest vertical bracket.
2. Pull /Push the armrest by the arm cushion out of the holder.
3. To adjust how easy or difficult it is to pull/push the armrest out of the holder, change the degree to which the 4 screws (D) (M6) are tightened.

Adjusting removable armrest Height

NOTE: For this procedure, refer to FIGURE 3.1.

1. Remove the removable armrest. Refer to Removing/Installing removable armrest paragraph.
2. Loosen the screw (B) (M6) in the groove (C) of the armrest tube.
3. Move the armrest upwards or downwards until you reach the desired height, while keeping screw (B) (M6) in place (at the top edge of the holder).
4. Tighten firmly the screw (B) (M6).
5. Perform the setting on both sides.
6. Reinstall the removable armrest. Refer to Removing/Installing removable armrest paragraph.

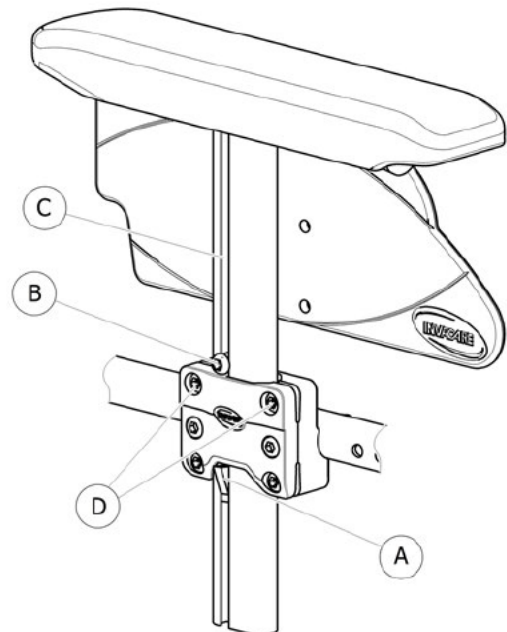


FIGURE 3.1 Removable Armrest

Removing/Installing and Adjusting Mudguard

NOTE: For this procedure, refer to FIGURE 3.2.

Removing/Installing removable armrest

NOTE: To remove the mudguard, reverse this procedure.

1. Previously press on the locking mechanism A located at the bottom of the mudguard vertical bracket.
2. Pull /Push the mudguard by the arm cushion out of the holder.
3. To adjust how easy or difficult it is to pull/push the mudguard out of the holder, change the degree to which the 4 screws Ⓓ (M6) are tightened.

Adjusting Mudguard Height

NOTE: For this procedure, refer to FIGURE 3.2.

1. Loosen the screw Ⓑ (M6) in the groove Ⓒ of the armrest tube.
2. Move the mudguard upwards or downwards until you reach the desired height, while keeping screw Ⓑ (M6) in place (at the top edge of the holder).
3. Tighten firmly the screw Ⓑ (M6).
4. Perform the setting on both sides.

Adjusting Mudguard Depth

1. Previously suppress the expandable rivet (5 mm).
2. Adjust in the other depth position.
3. Reinstall a new expandable rivet (5mm).
4. Perform the setting on both sides.

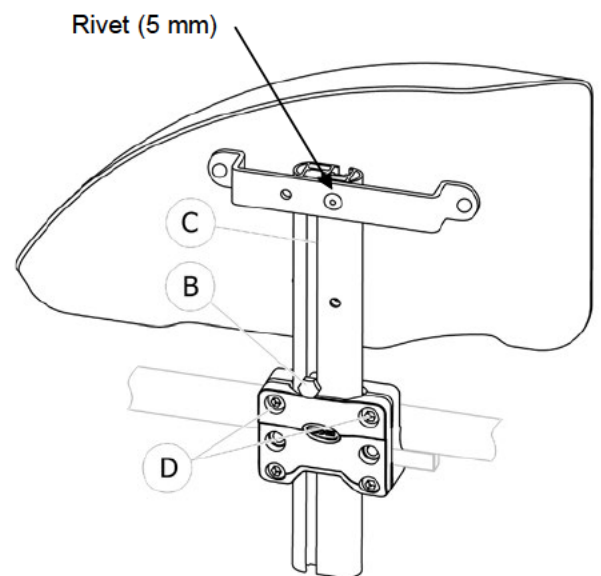


FIGURE 3.2 Removable Mudguard

Replacing Armrest Arm pad

NOTE: For this procedure, refer to FIGURE 3.3.

1. Remove the mounting screws that secure the arm pad to the armrest assembly.
2. Replace arm pad and securely tighten with the existing mounting screws (M5).
3. Repeat STEPS 1-2 for the opposite side if necessary.

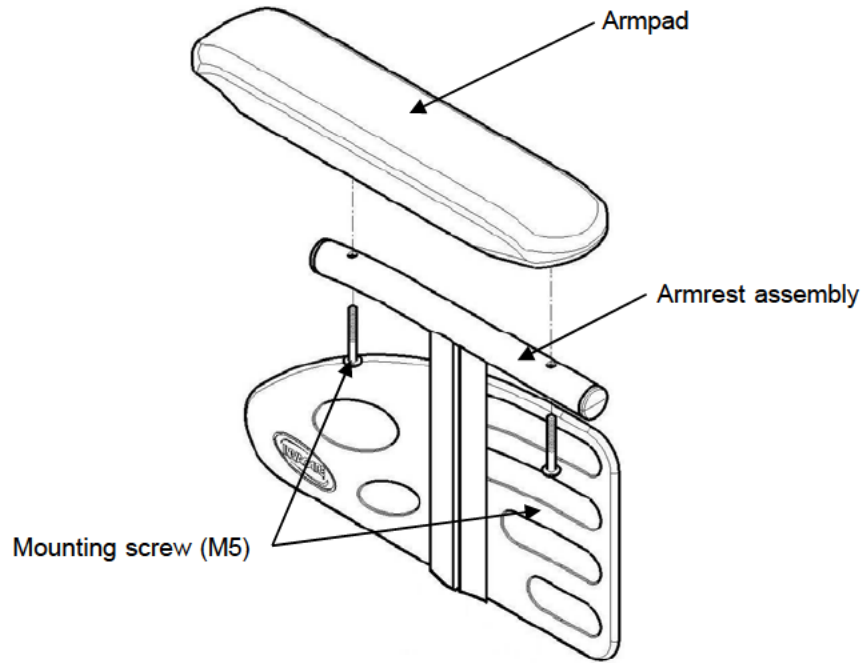


FIGURE 3.3 Replacing Armrest Arm Pad

SECTION 4 — SEAT/BACK

⚠ WARNING

The seat height, seat depth, back angle, seating system, size/position of the rear wheels, size/position of the front castors, seating options (e.g., headrest, back bag, ...) as well as the user condition directly relate to the stability of the wheelchair. Any change to one or any combination of the nine may cause the wheelchair to decrease in stability. Refer to table on page 6.

After ANY adjustments, repair, or service and BEFORE use, make sure all attaching hardware is tightened securely - otherwise injury or damage may occur.

Removing Back-Cane

NOTE: For this procedure, refer to FIGURE 4.1.

1. Remove the mounting screw and locknut (M6) that secures the back-cane to the back-cane bracket.
2. Repeat STEP 1 for the other back-cane.
3. Remove the back-canes out of the back-cane brackets.

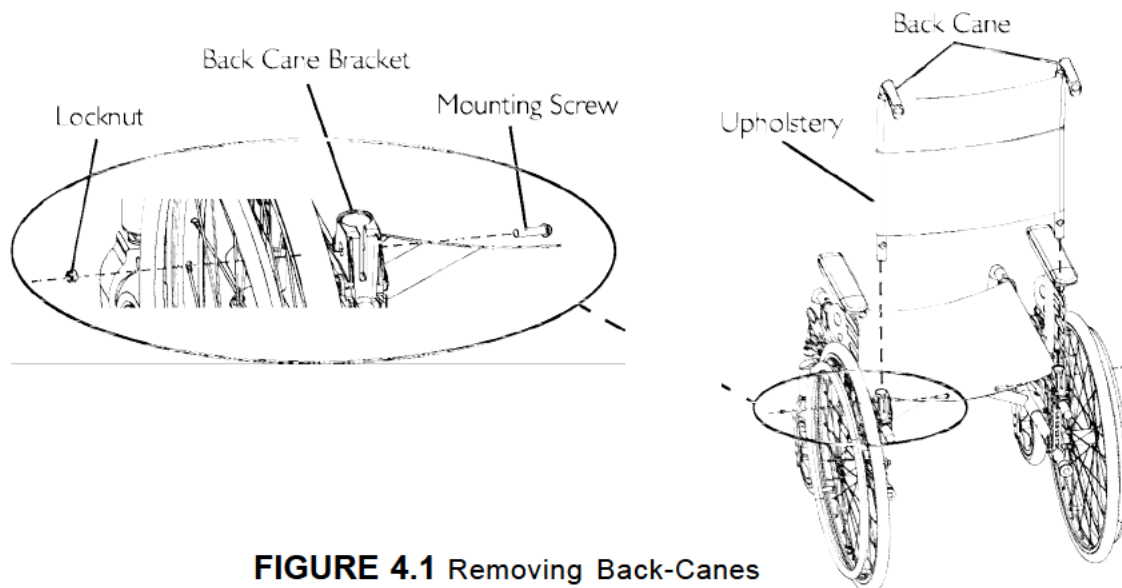


FIGURE 4.1 Removing Back-Canes

Removing/Installing Seat Upholstery

NOTE: For this procedure, refer to FIGURE 4.2.

NOTE: To install the seat upholstery, reverse this procedure.

1. Fold the wheelchair.
2. Remove the mounting screw (Torx) that secures the upholstery to the front and back rails.
3. Remove the end caps from the front of the seat rails.
4. Slide the seat upholstery out of the seat rails.

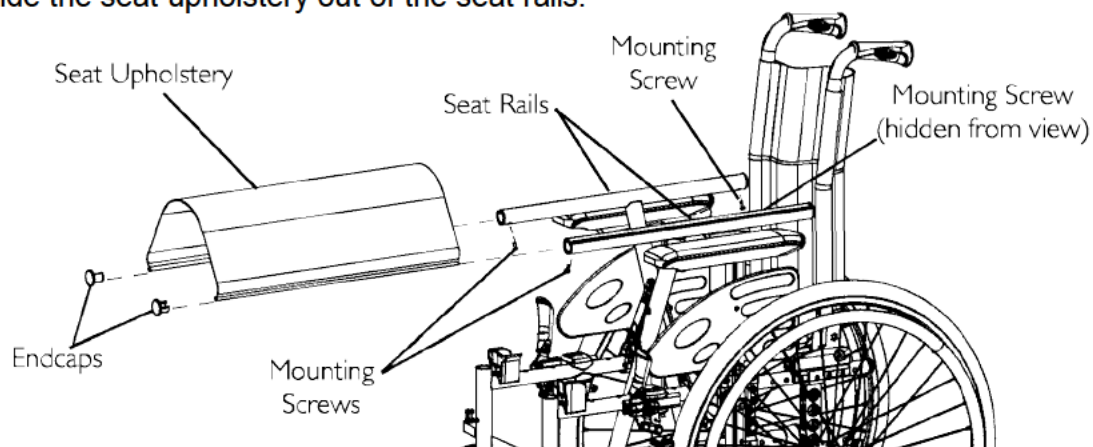


FIGURE 4.2 Removing/Installing Seat Upholstery

Adjusting Cross Brace Width (Evolutive version)

NOTE: For this procedure, refer to FIGURE 4.3.

1. Remove the seat upholstery. Refer to Removing/Installing Seat Upholstery paragraph.
2. Remove two mounting screw (M6) that secures the upper part of the cross brace and the central mounting bolt (M8).
3. Slide the upper parts (cross brace and internal parts), on both sides, to the desired width using the predefined holes (SW1, SW2, SW3, SW4), adjust the central bolt to its new position. (refer to the FIGURE 4.6, see Width Table, follow the L1 or L2 values according to the selected width).
4. Securely tighten with the existing mounting screw (M6) and the central mounting bolt (M6).
5. Repeat STEPS 1-4 for the opposite side.
6. Install the appropriate seat upholstery, if necessary. Refer to Removing/Installing Seat Upholstery paragraph.
7. Installing the appropriate backrest upholstery, if necessary. Refer to Removing/Installing Back Upholstery paragraph.
8. Installing the appropriate footplate, if necessary. Refer to Installing Angle Adjustable Footplate paragraph

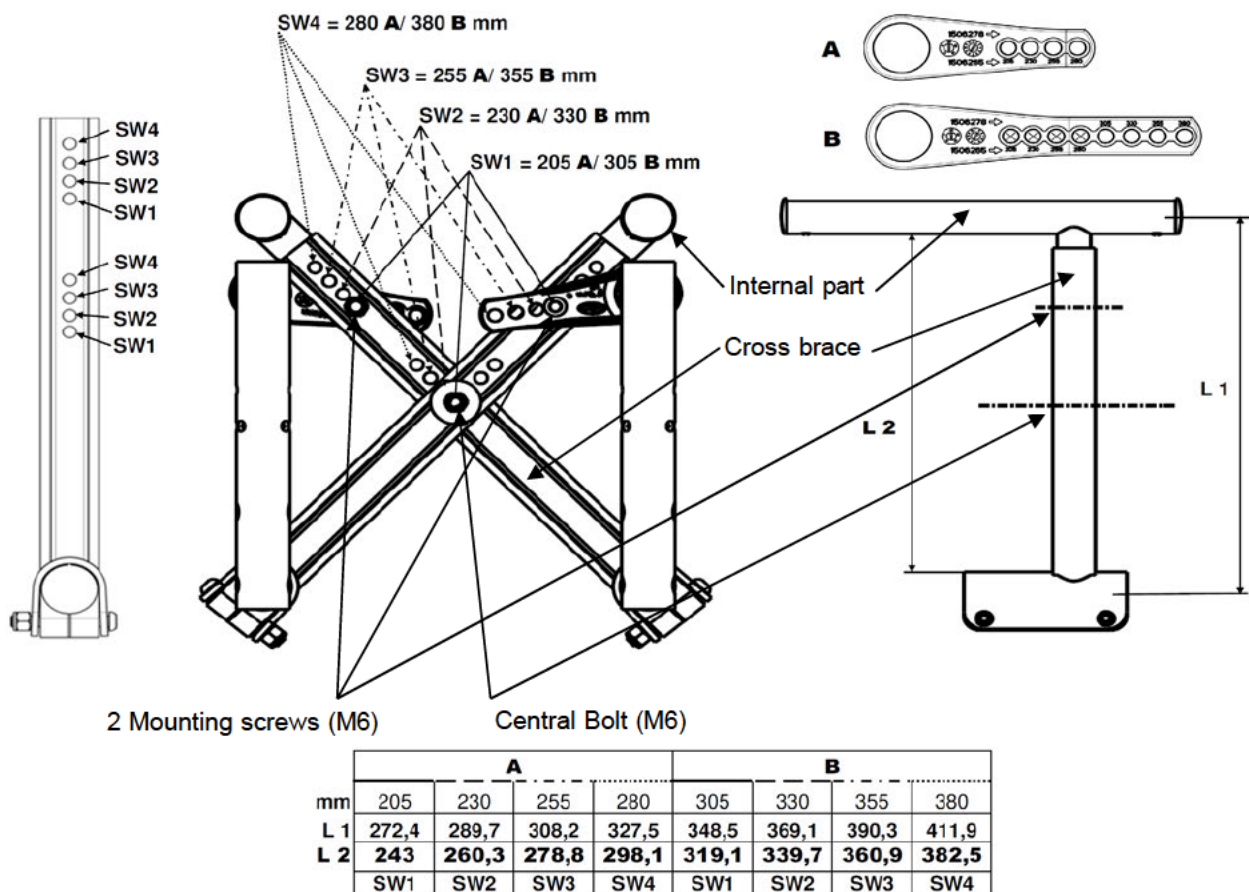


FIGURE 4.3 Adjusting Cross Brace Width

Removing/Installing Standard Back Upholstery

NOTE: For this procedure, refer to FIGURE 4.4.

Removing Back Upholstery

NOTE: To Install the Back Upholstery, reverse this procedure.

1. Remove the back-canes. Refer to Removing Back-Canes paragraph.
2. Remove the mounting screw that secures the back upholstery to the back-canes. Refer to Detail “A”.
3. Remove the back upholstery from the back-canes. Refer to Detail “B”.

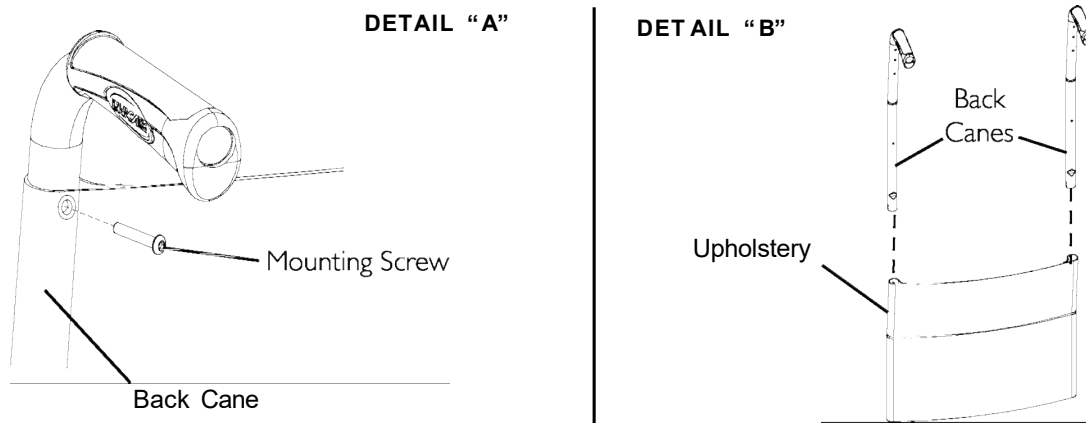


FIGURE 4.4 Removing/Installing Standard Back Upholstery

Contour (adjustable) Back Upholstery

Contour (adjustable) Tension Strips

The adjuster strips can be adjusted at various levels of tension to accommodate individual end users. In a typical scenario, the bottom two strips can be adjusted tightly to support and/or assist the extensor muscles.

Installing/Replacing Adjustable Back Upholstery

NOTE: For this procedure, refer to FIGURE 4.5, next page.

Installing

1. Remove the existing back upholstery from the wheelchair. Refer to Removing/Installing Standard Back Upholstery paragraph.
2. Slide each section (anchor loop/adjuster strap) of the adjustable back upholstery with the grommet hole facing the rear of the wheelchair.
3. Secure the adjustable back upholstery to the back-canes with the two mounting screws.

NOTE: Clean the upholstery with warm water and mild detergent to remove superficial soil.

WARNING

Ensure that the wheelchair is fully opened, the back brace is fitted, and the seat rails properly located. The fastening straps MUST be securely fastened before applying the back-upholstery cover. The Contour (adjustable) back should be checked whenever entering the wheelchair to ensure that the fastening strips are securely fastened.

4. Slip adjuster straps through corresponding anchor loops and adjust the back upholstery. Secure with the fastening strips.
5. Secure the back-upholstery cover (fastening strap) to the back of the adjustable back upholstery (fastening strap).
6. Flip the back-upholstery cover over the adjustable back upholstery and secure the fastening strips to the front of the adjustable back upholstery.
7. Lay the front portion of the back-upholstery cover on the seat upholstery.
8. Adjust the slack in the back-upholstery cover and then secure to the seat upholstery.

Replacing

1. Lift the existing back upholstery cover and remove the cover from the wheelchair.
2. Remove the two mounting screws and washers that secure the existing adjustable back upholstery to the back-canee.
3. Slide each section (anchor loop/adjuster strap) of the existing adjustable back upholstery off the back-canee.
4. Slide each section (anchor loop/adjuster strap) of the new adjustable back upholstery with the grommet hole facing the rear of the wheelchair.
5. Secure new adjustable back upholstery to the back-canee with the two mounting screws and washers.



WARNING

Ensure that the wheelchair is fully opened, the back brace is fitted, and the seat rails properly located. The fastening strips **MUST** be securely fastened before applying the back-upholstery cover. The Contour (adjustable) back should be checked whenever entering the wheelchair to ensure that the fastening strips are securely fastened.

6. Slip adjuster strips through corresponding anchor loops and adjust the back upholstery. Secure with the fastening strips.
7. Secure the new back upholstery cover (fastening strap) to the back of the new adjustable back upholstery (fastening strap).
8. Flip the new back upholstery cover over the new adjustable back upholstery and secure the fastening strips to the front of the new adjustable back upholstery.
9. Lay the front portion of the new back upholstery cover on the seat upholstery.
10. Adjust the slack in the new back upholstery cover and then secure to the seat upholstery.

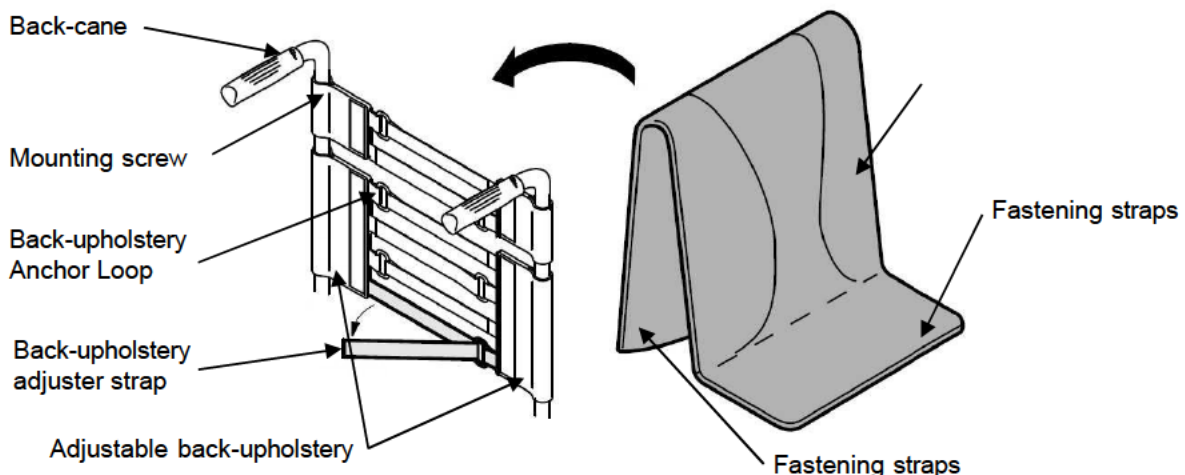


FIGURE 4.5 Installing/Replacing Contour (adjustable) Back Upholstery

Adjusting the Height Adjustable Back

NOTE: For this procedure, refer to FIGURE 4.6.

1. Loosen, but DO NOT remove, the height adjustment knobs.
2. Reposition the back canes to the desired height.

NOTE: Both back canes should be adjusted to the same height.

NOTE: DO NOT raise push handles to maximum height when tilting the chair.

3. Tighten the height adjustment knobs.

NOTE: To prevent accidental removal of a back-cane, the spring button lock will engage at the full extension of the back-cane. To disengage the button, press the button located below the height adjustment, under the upholstery, on the back-cane (Detail "A").

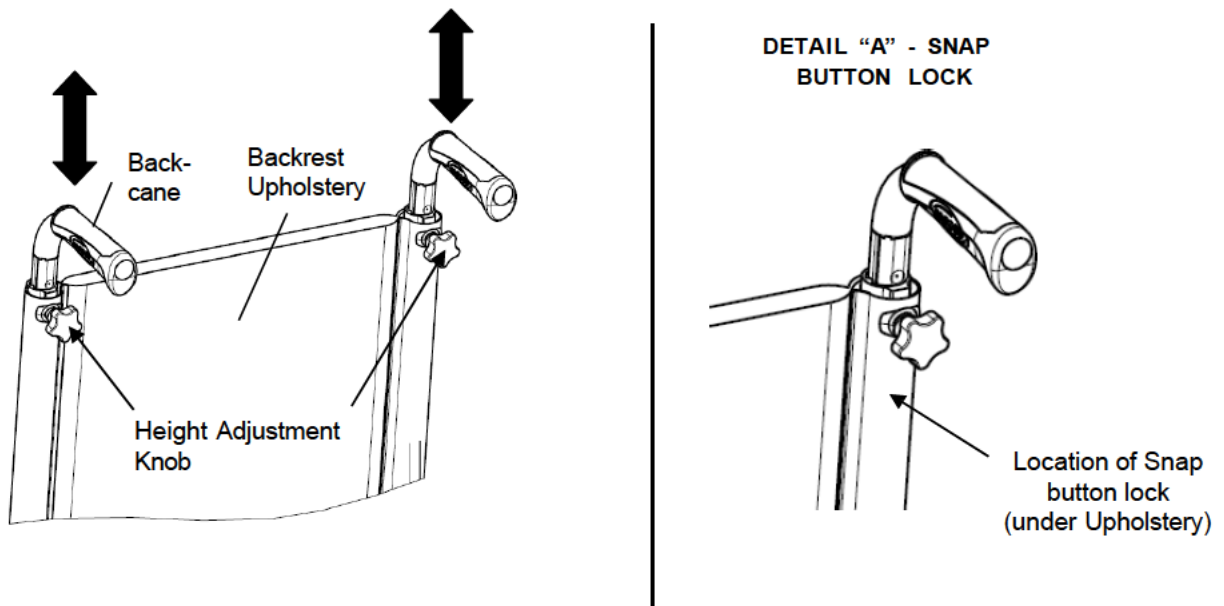


FIGURE 4.6 Adjusting the Height Adjustable Backrest-cane

Removing/Installing different type of Backrests

NOTE: For this procedure, refer to FIGURE 4.7, next page.

Folding backrest

NOTE: To Install the Fixed/Folding backrest, reverse this procedure from STEP 3 to 1.

1. Remove the back-cane bracket. Refer to Removing Back Cane Bracket paragraph.
2. Pull up on the seat upholstery.
3. Remove the two mounting screws and locknuts (M6) that secure the back-cane bracket to the wheelchair frame.
4. Install the new set including the appropriate backrest upholstery

NOTE: Both back canes should be set to the same adjustment hole.

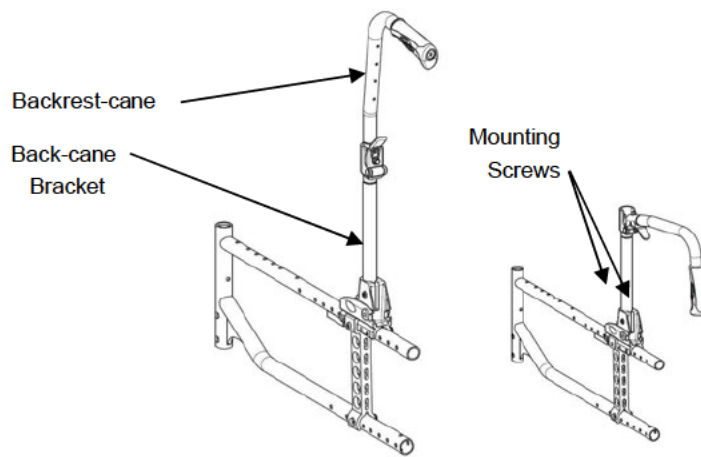


FIGURE 4.7 Fixed/Folding Backrest

Removing/Installing different type of Backrests

Recliner backrest (Mechanical and Gas strut versions)

NOTE: For this procedure, refer to FIGURE 4.8.

To Install the Recliner backrest reverse this procedure from STEP 1 to 3.

1. Remove the back-cane bracket. Refer to [Removing Back Cane Bracket](#) paragraph.
2. Pull up on the seat upholstery.
3. Remove the two mounting screws and locknuts that secure the back-cane bracket to the wheelchair frame.
4. Install the new set including the appropriate backrest upholstery

NOTE: Both back canes should be set to the same adjustment hole.

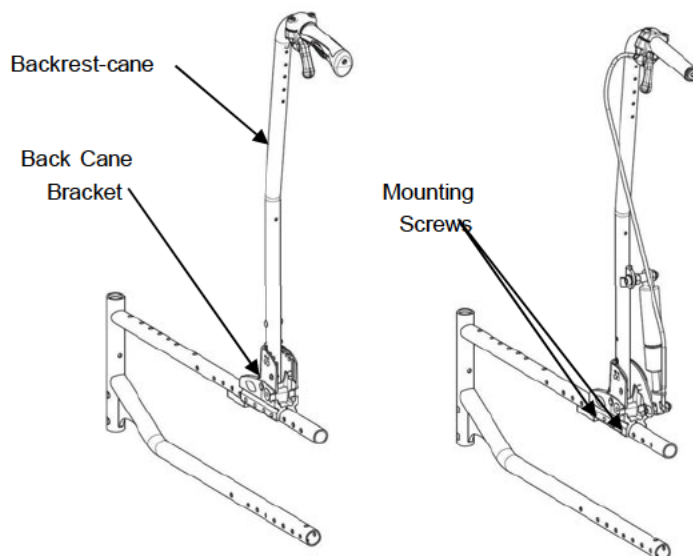


FIGURE 4.8 Recliner Backrests

Removing/Installing/Adjusting the Back-Cane Bracket

NOTE: For this procedure, refer to FIGURE 4.9.

NOTE: To install the back-cane bracket, reverse this procedure.

1. Remove the back-canes. Refer to Removing Back-Canes paragraph.
2. Pull up on the seat upholstery.
3. Remove the two mounting screws and locknuts that secure the back-cane bracket to the wheelchair frame.
4. Do one of the following:
 - **To Remove:** the back-cane bracket by sliding it off the back of the wheelchair frame.
 - **To Adjust:** slide the back-cane bracket to one of the four adjustment holes on the bracket.

NOTE: Both back canes should be set to the same adjustment hole.

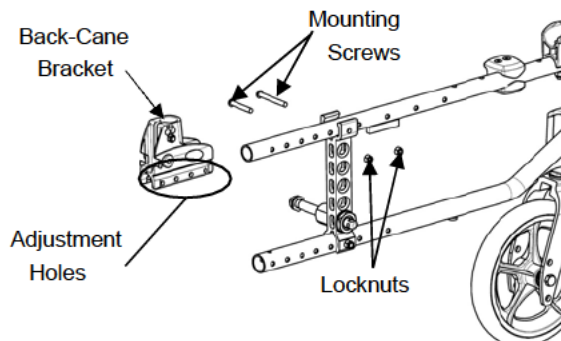


FIGURE 4.9 Removing/Installing/Adjusting the Back-Cane Bracket

Installing/Removing Seat Posture Belt

NOTE: For this procedure, refer to FIGURE 4.10, 4.11, 4.12 and 4.13

1. Remove seat cushion from wheelchair, if any.
2. Remove the existing seat posture belt from the wheelchair, if any.
NOTE: If the belt screw is also securing the back-cane to the frame, don't forget to tighten it again after the removal of the belt.
3. Attach the two halves of the new seat posture belt.
4. Choose the most appropriate position of the belt for the user – see figure 4.10 for recommended positions. or figure 4.13 for back mounting.
NOTE: It may vary of the user morphology. In case of need contact a healthcare professional.
5. Align the mounting holes on the frame and one end of the new seat posture belt (see figure 4.11, 4.12 or 4.13).
6. Secure the new seat posture belt to the wheelchair frame with one mounting screw, washer, and nut. Tighten securely.
7. Repeat STEPS 5 and 6 for the opposite side of the seat posture belt.
8. Reinstall the seat cushion onto wheelchair, if any.
9. Adjust and secure the length of the belt as described in the instructions of use of the belt manufacturer.

Tools:

Allen key of 4mm and wrench of 10mm

Cross-brace depth (MM):		250	300	350	325	375
Belt compatibility:	NB275S-B5-ASM-50 Bodypoint belt L1070 Width 25	OK	OK	OK	OK	OK
	NB285M-B5-ASM-50 Bodypoint belt L1320 Width 38	OK	NC	OK	OK	OK
Recommended Fixation Position Hole:	See image 4.10	A	1	3	1	2

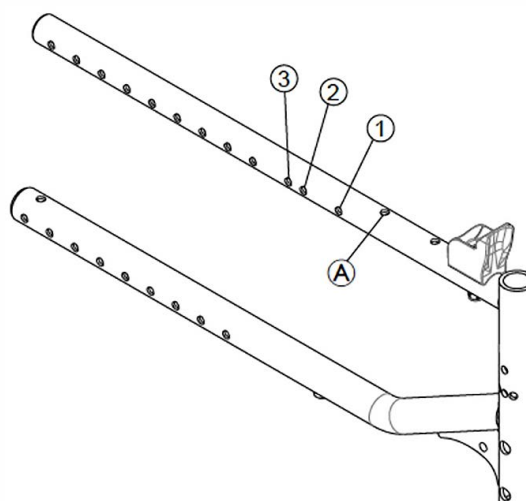


FIGURE 4.10 Action 3 NG Junior frame with the fixation position hole schema for the different cross-brace depth wheelchair.

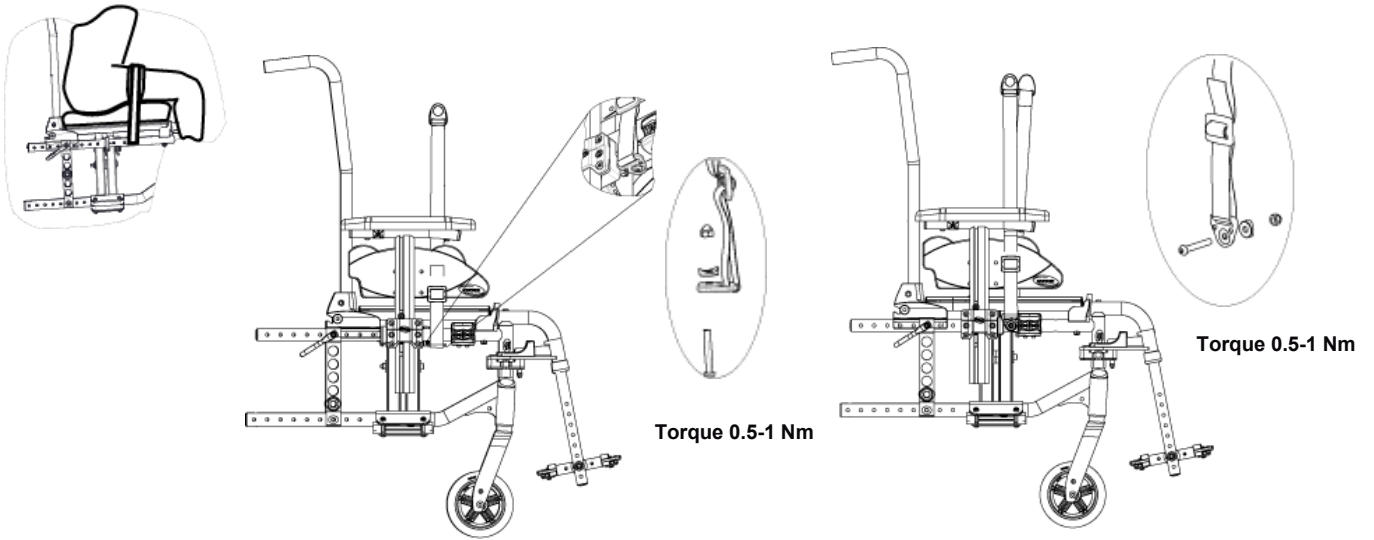


FIGURE 4.11 Installing Seat Posture Belt with cross-brace depth of 250 mm.

Figure 4.12 Installing Front Seat Posture Belt with cross-brace depth of >250 mm.

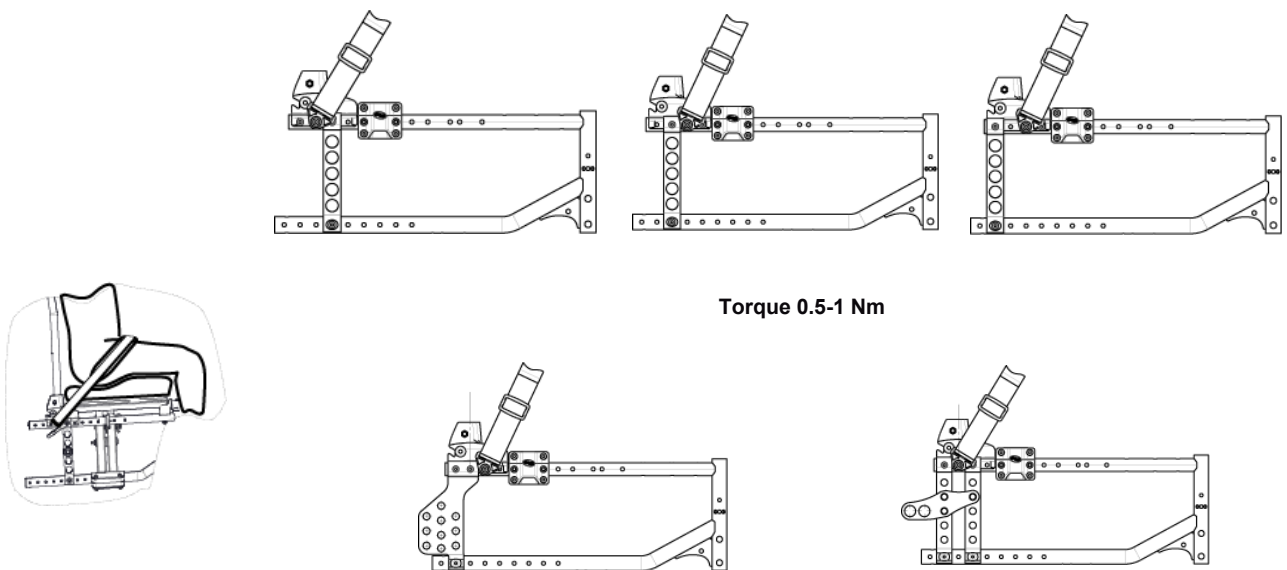


Figure 4.13 Installing the belt on the back side for all the depths on the base does not support the back side. There is a belt on the rear for all the depths of the rear wheel support function.

Installing/Removing/Adjusting the Back brace



WARNING

If a back brace is already installed, you don't have to re-install the back-cane inserts (for fixed backrest canes only).

After ANY adjustments, repair, or service and before use, make sure all attaching hardware is fitted and tightened securely - otherwise injury or damage may occur.

NOTE: For this procedure, refer to FIGURE 4.14.

NOTE: To remove the back brace, reverse this procedure.

Removing/Installing Back brace (Evolutive version)

1. Remove the end caps from the back-canes.
2. Remove the handles from the back-canes (Cut the handle lengthwise thanks to a sharp tool).
3. Install the inserts into the canes (fixed /recliner backrest canes only).
4. Secure the inserts with mounting screws (fixed backrest canes only).
5. Install the handles on the back-canes (Previously, spray a solution of neutral alcohol inside the handle and settle it immediately on the back-cane).
6. Align the back brace ends with the handles of the back-canes.
7. Secure the back brace to the back-canes with the mounting bolts.

Adjusting Back brace width

1. Loosen Back brace hardware (M6) securing the Back Brace Central part.
2. Slide outside parts equally on both side to the desired width using the pre-set width positions.
3. Firmly tighten Back brace hardware (M6).

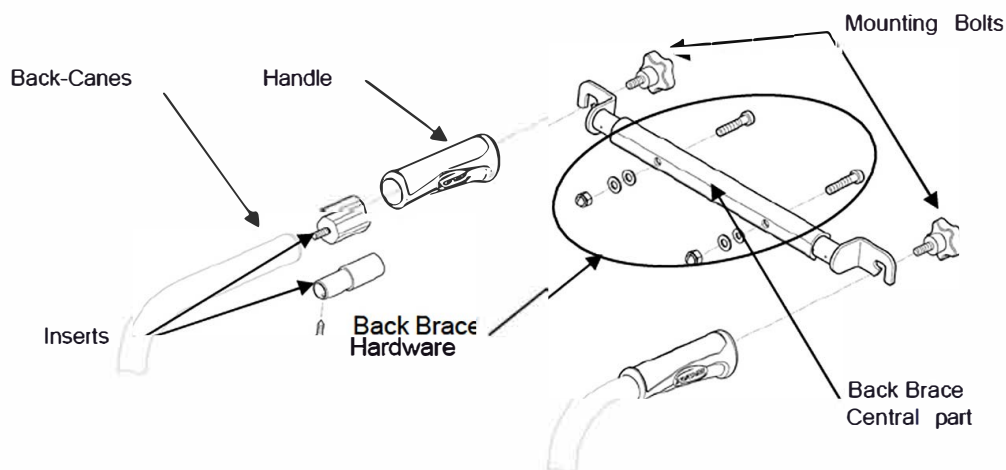


FIGURE 4.14 Installing/Removing/Adjusting the Back brace

SECTION 5—REAR WHEELS/FRONT CASTORS

WARNING

The seat height, seat depth, back angle, seating system, size/position of the rear wheels, size/position of the front casters, seating options (e.g., headrest, back bag, ...) as well as the user condition directly relate to the stability of the wheelchair. Any change to one or any combination of the nine may cause the wheelchair to decrease in stability.

After ANY adjustments, repair, or service and before use, make sure all attaching hardware is fitted and tightened securely - otherwise injury or damage may occur.

Removing/Installing Rear Wheels

WARNING

If changing the size of the rear wheel or the seat-to-floor height, refer to the table of the next page.

Fixed Axles, Transit version

NOTE: For this procedure, refer to FIGURE 5.1, next page.

Removing rear wheels

1. 12"; remove the fixed axle, washers, dust cap and locknut that secure rear wheel to the axle brackets. Remove existing rear wheel from the wheelchair.
2. Install new/existing rear wheel onto wheelchair. Refer to Installing Transit Kit paragraph, see STEPS 3-6 only.
3. 22" or 20"; remove the complete wheel and the axle bracket from the axle plate. Refer to Removing/Installing Rear Wheels paragraph.

Installing Transit Kit

1. Always make sure that the axle plate is in the passive position on both sides, refer to Adjusting the Wheel Base Length paragraph.
2. Install the axle bracket and anti-tippers bracket with the Axle Brackets Hardware
3. Install fixed axle through washers, new/existing rear wheel, and axle bracket.
4. Securely tighten with the existing fixed axle locknut. Torque to 25 Nm.
5. Fixed and adjust the transit brake with its brake hardware, adjust the distance between the brake shoe and the wheel, see Adjusting Wheel Brake paragraph.
6. If necessary, repeat STEPS 1-5 for opposite rear wheel.

NOTE: Both Axle brackets should be set at the same position. Head of bottom mounting screws needs to be on the outside position.

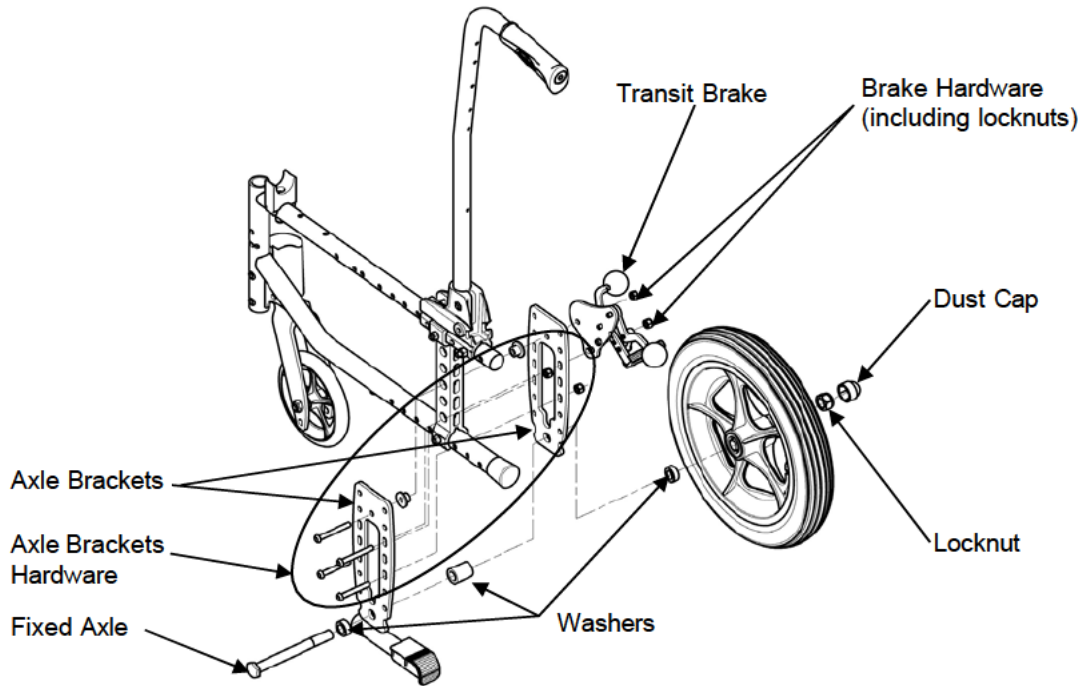
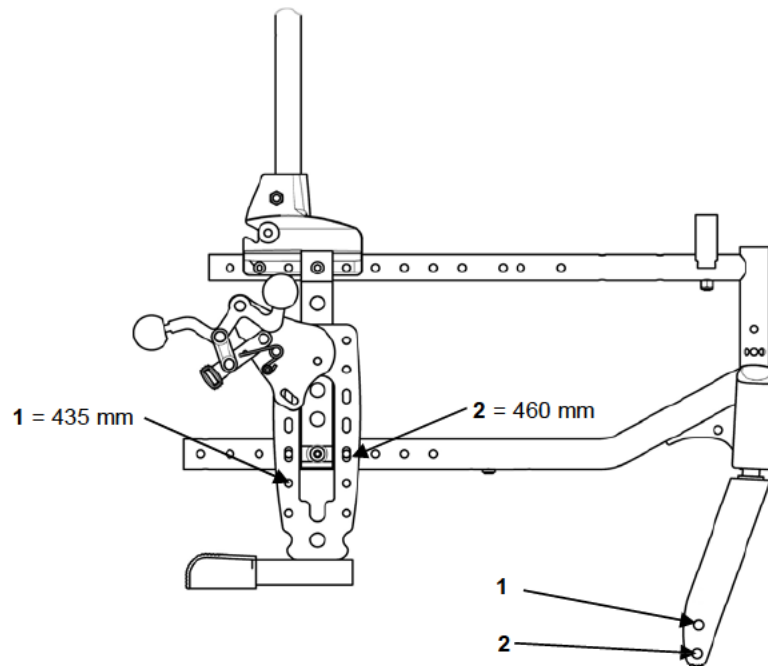


FIGURE 5.1 Removing/Installing Rear Wheels

NOTE: To obtain the desired front seat to floor height (for details, see Seat-to Floor Height paragraph), it will be necessary to perform one or both of the following:

- Changing the mounting position on the fork. Refer to Removing/Installing/Repositioning the Castor Assemblies paragraph.
- Changing the fork size or adding/removing height adjustment spacers. Refer to Adjusting Forks paragraph.
- Changing the rear height positioning of the rear wheel and the front wheel.



Quick-Release Axles

NOTE: For this procedure, refer to FIGURE 5.2.

Removing

1. Hold the center of the rear wheel and push in the tip of the quick release axle.
2. Pull the quick release axle and rear wheel out of the axle bracket on the wheelchair frame.
3. Push in the tip of the quick release axle again and pull the quick release axle out of the existing rear wheel.
4. Install new/existing rear wheel onto wheelchair. Refer to [Removing/Installing Rear Wheels](#) paragraph.



WARNING

Make sure the detent pin and locking pins of the Quick-Release axle are fully released before operating the wheelchair.

The locking pins MUST be protruding past the inside of rear wheel hub for a positive lock.

Keep locking pins clean.

Invacare recommends inserting Quick-Release axles with the head end to the inside of the wheelchair to prevent accidental release during contact leisure activities.

Installing

1. Install the existing quick release axle through the new/existing rear wheel.
2. Install the new/existing rear wheel and quick release axle into the axle bracket on the wheelchair frame.
3. Refer to [Adjusting Quick Release Axles](#) paragraph if the locking pins are not protruding past the inside of the axle bushing or there is too much movement of the rear wheel assembly in a back and forth position.

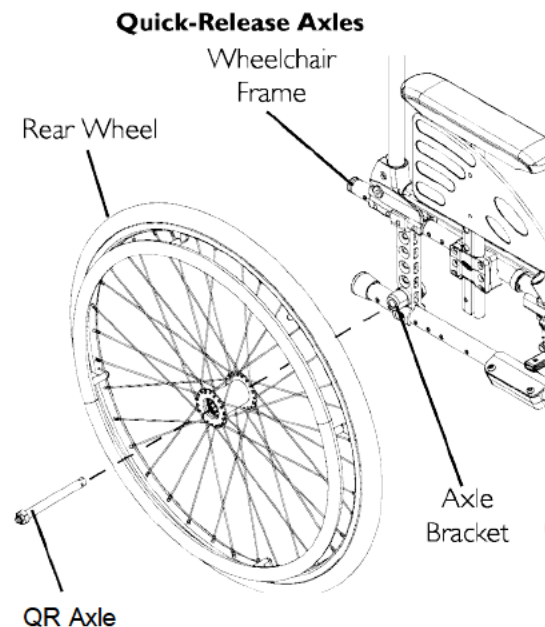


FIGURE 5.2 Removing/Installing Rear Wheels

Adjusting Quick-Release Axles

NOTE: For this procedure, refer to FIGURE 5.3.

1. Remove rear wheel and quick release axle from the wheelchair. Refer to Removing/Installing Rear Wheels paragraph.
2. Depress detent pin in the quick release axle and slide the quick release axle through the rear wheel hub.
3. Release detent pin to ensure that the locking pins are fully released.
4. Increase or decrease end play by adjusting the locknut on the end of the quick release axle.

WARNING

Make sure the detent pin of the quick release axle is fully released BEFORE operating the wheelchair.

Keep locking pins clean.

5. Reinstall rear wheel onto the wheelchair. Refer to Removing/Installing Rear Wheels paragraph.
6. Repeat STEPS 4-5 until the quick release axle detent pins are fully released past the wheelchair frame.

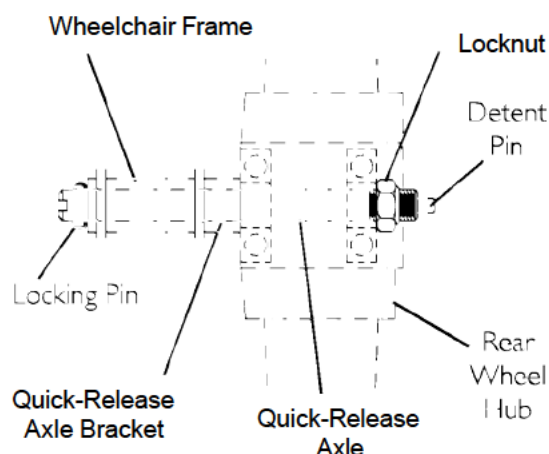


FIGURE 5.3 Adjusting Quick-Release Axles

Replacing Handrims

NOTE: for this procedure, refer to FIGURE 5.4.

NOTE: To replace the handrim, use 8 new mounting pre-glued screws (M5).

1. Remove the rear wheel from the wheelchair. Refer to Removing/Installing Rear Wheels paragraph.
2. Remove the mounting screws that secure the existing handrim to the rear wheel.
3. Remove the existing handrim.
4. Install the new handrim and secure to the rear wheel with the new mounting pre-glued screws (M5).
5. The space between the rim and handrim can be adjusted thanks to the different length of the plastic spacers.

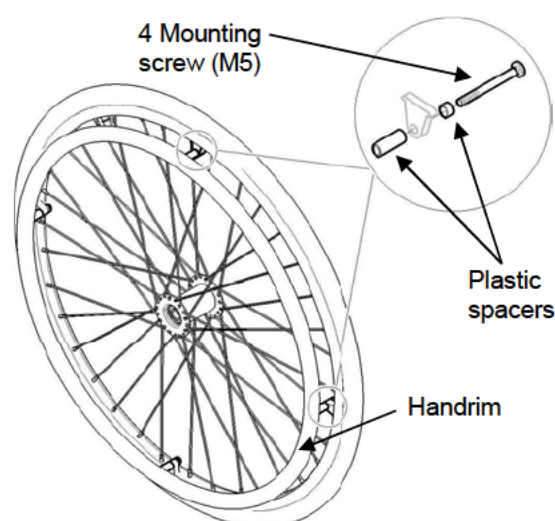


FIGURE 5.4 Replacing Handrims

6. Reinstall the rear wheel to the wheelchair. Refer to Removing/Installing Rear Wheels paragraph.
7. Repeat STEPS 1~6 for opposite wheel, if necessary.

Adjusting the Wheelbase Length

NOTE: For this procedure, refer to FIGURES 5.5 and 5.6

1. Remove the wheel. Refer to Removing/Installing Rear Wheels paragraph.
2. Remove the two mounting screws that secure the top and bottom of the axle plate to the wheelchair frame.

⚠ CAUTION

The top of the axle plate must remain on the plastic seat bracket. Otherwise, scratching and slight frame damage may occur.

3. Align the axle plate with one of four adjustment holes. There are 3 positions possible:

Factory setting for Fixed backrest is Standard position “A”, for Recliner backrest is Passive position “B” or “C” for some configuration. Refer to detail “A” of FIGURE 5.6.

⚠ WARNING

The two mounting screws need to be two adjustment holes apart to maintain frame integrity. Respect factory settings related to backrest type (“A” for Fixed, “B” for Recliner), refer to detail “A” of FIGURE 5.6.

Medium position “C” of the axle plates directly relates to the stability of the wheelchair. Only change to one or any combination of the 3 positions may cause the wheelchair to increase/decrease in stability.

Anti-tippers can be fitted to secure the stability if required. Refer to SECTION 9.

NOTE: When using the last adjustment position, the existing mounting screw needs to be switched to the front of the back-cane bracket.

4. Repeat STEPS 1 to 3 for the other axle plate.

NOTE: Both axle plates should be set at the same position. Head of bottom mounting screws needs to be on the outside position.

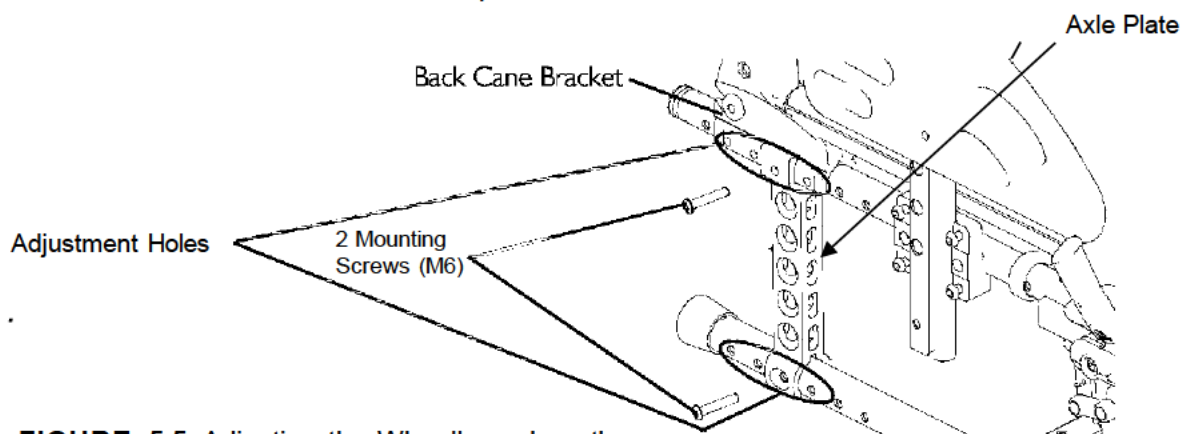
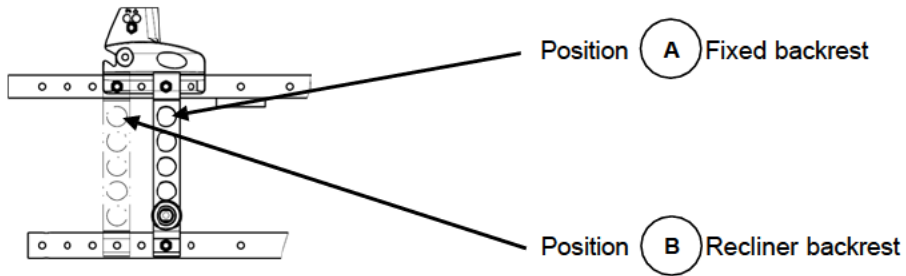


FIGURE 5.5 Adjusting the Wheelbase Length



DETAIL "A" Factory Setting

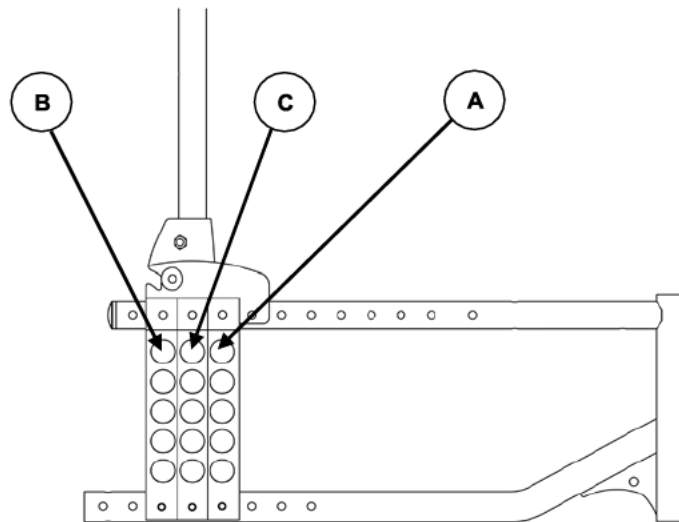


FIGURE 5.6 Possible Positions of Wheel Plate

Adjusting Rear Wheel Height

NOTE: For this procedure, refer to FIGURE 5.7, next page.

1. Remove the rear wheel. Refer to Removing/Installing Rear Wheels paragraph.
2. Remove the locknut and washer that secures the axle bracket to the axle plate.
3. Align the axle bracket with one of the five adjustment holes on the axle plate.
4. Secure the axle bracket to the axle plate, at the desired height, with the locknut and washer.
5. Install the rear wheel. Refer to Removing/Installing Rear Wheels paragraph.
6. Repeat STEPS 1 to 5 for the other rear wheel.

NOTE: Both rear wheels should be set at the same position.

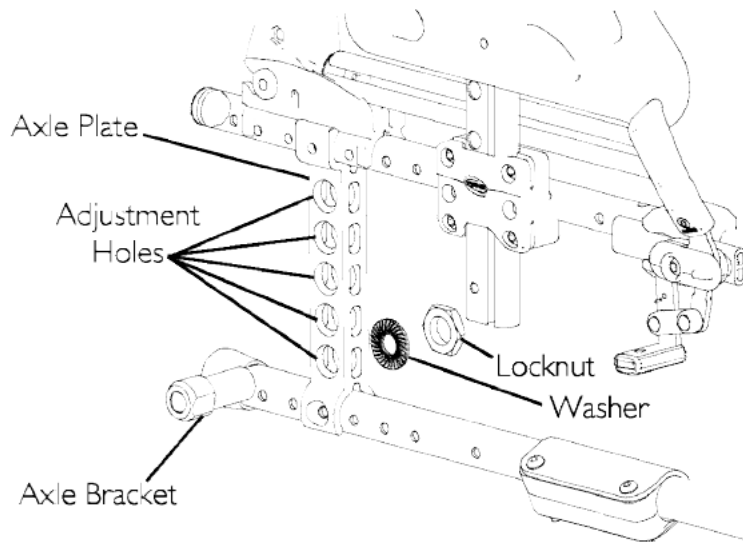


FIGURE 5.7 Adjusting Rear Wheel Height

Replacing/Repairing Rear Wheel & Front Castor Tire/Tube



CAUTION

As with any vehicle, the wheels and tires should be checked periodically for cracks and wear and should be replaced when necessary.

Adjusting Forks

WARNING

Castor angle vertical axis **MUST** be at $90^{\circ} \pm 1^{\circ}$ from the ground, if not a fluttering risk may occur. Both castor assemblies should be at the same angle.

After **ANY** adjustments, before use, make sure all attaching hardware is fitted and tightened securely - otherwise injury or damage may occur.

NOTE: For this procedure, refer to FIGURE 5.8.

1. Remove the dust cover from the castor housing.
2. To properly tighten castor journal system and guard against flutter, perform the following check:
 - A. Tip back the wheelchair to floor.
 - B. Pivot castor fork assemblies in rear position
 - C. Push castor to initiate clockwise movement
 - D. Let castor fork assembly rotate freely, if not change the upper specific bearing.
3. Adjust locknuts to appropriate torque (15/20 Nm) with a 19 mm socket wrench; do not over tight the locknut, you may risk damaging the bearings.
4. Test wheelchair for maneuverability.
5. Snap dust cover into the castor housing.
6. Perform STEPS 1 to 5 on the other side.

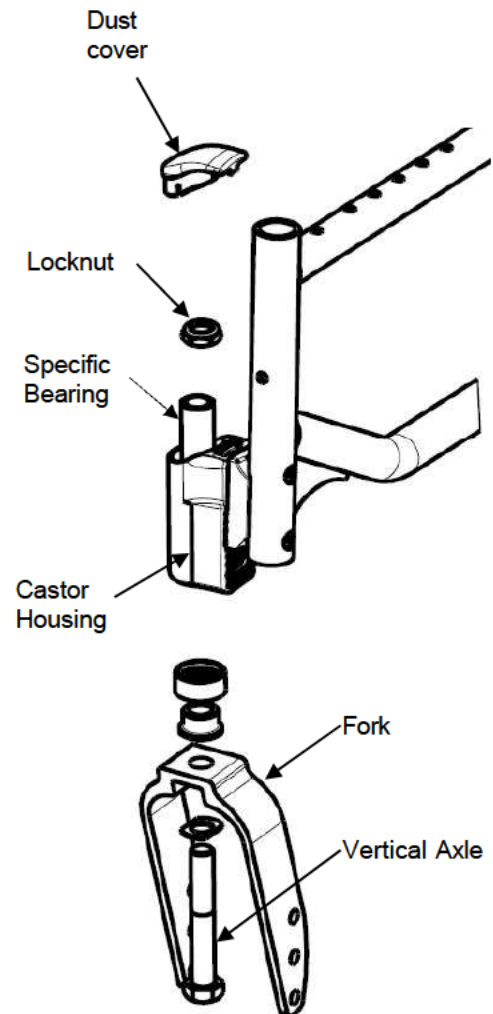


FIGURE 5.8 Adjusting Fork

Removing/Installing/Repositioning the Castor Assemblies

IMPORTANT: Fixing screws may only be used once. Always use the dedicated spare parts kit (SP1644391) for castor housing **Standard**.

Alternatively, the screws can be cleaned (remove old thread locking adhesive) and reinstalled with new medium-strength thread locking adhesive (e.g.: LOCTITE® 243™ or 270™).

INFORMATION: Always refer to the liquid thread locking adhesive supplier's recommendations before applying on the screw.

NOTE: If replacing a front castor note the mounting position of the existing front castor for installation of the new front castor.

NOTE: If repositioning front castors or replacing the existing front castor with a castor of a different size, refer to Changing Front Seat-to-Floor Height paragraph to determine the front castor position needed for the required front seat-to-floor height.

NOTE: Both front castors **MUST** be the same size and adjusted to the same height.

NOTE: For this procedure, refer to FIGURE 5.9.

Removing Front Wheel

1. Remove the mounting bolt (5 mm Allen key), axle spacers (if present) that secure the front wheel to the fork.
2. Remove the wheel from the fork.

Installing Front Wheel

1. Using the mounting bolt (5 mm Allen key), axle spacers (if present), secure the wheel to the desired wheel mounting position.
2. Ensure fork stem is perpendicular to the flat surface.

Refer to Adjusting Castor Angle paragraph.

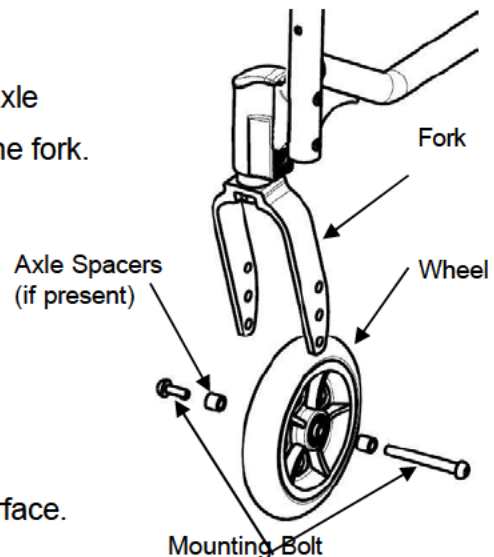


FIGURE 5.9 Castor Assembly

Adjusting Castor Angle

NOTE: For this procedure, refer to FIGURE 5.10, next page.

1. Remove the two mounting screws (5 mm Allen key) that secure the castor housing assembly to the wheelchair frame and the attachment plate.

IMPORTANT: To adjust the castor angle on both sides, use the spare parts kit (SP1644391) consisted of 4 mounting pre-glued screws (M6x37mm) and 2 attachment plates.

2. Fit but not tighten the new attachment plate and the 2 mounting screws
3. Rotate the castor assembly to the desired angle.

NOTE: Both castors housing must be set at the same angle.

4. Tighten in 3 steps (lower-upper-lower) progressively the 2 mounting pre-glued screws (13/14 Nm) that secure the castor housing assembly to the wheelchair frame.
5. Repeat STEPS 1 to 4 for the other castor housing assembly.
6. **IMPORTANT:** Wait 24 hours before using the wheelchair (polymerization time required for a safe assembly).

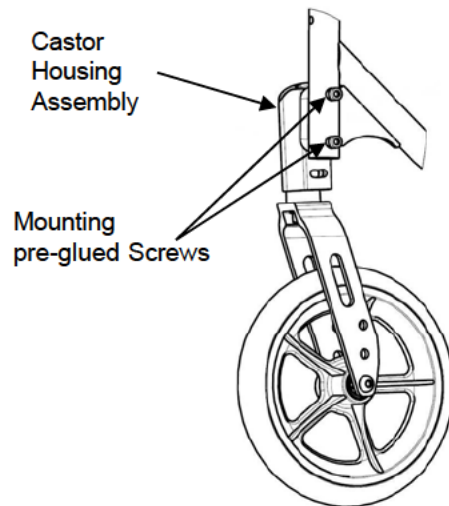


FIGURE 5.10 Adjusting Castor Angle

Adjusting Castor Height Position

NOTE: For this procedure, refer to FIGURE 5.11.

1. Remove the two mounting screws that secure the castor assembly to wheelchair frame and the attachment plate.

IMPORTANT: To adjust the castor position on both sides, use the spare parts kit (SP1657713) consisted of 4 mounting pre-glued screws (M6x37mm) and 2 attachment plates.

2. Move the castor housing assembly to one of two positions. Refer to Detail "A" of FIGURE 5.11. Always check that the plastic insert is present before tightening the mounting screws.

NOTE: Both castor housing assemblies must be set at the same position.

3. To finalize the assembly, refer to section Adjusting Castor Angle, repeat STEPS 4 to 6.

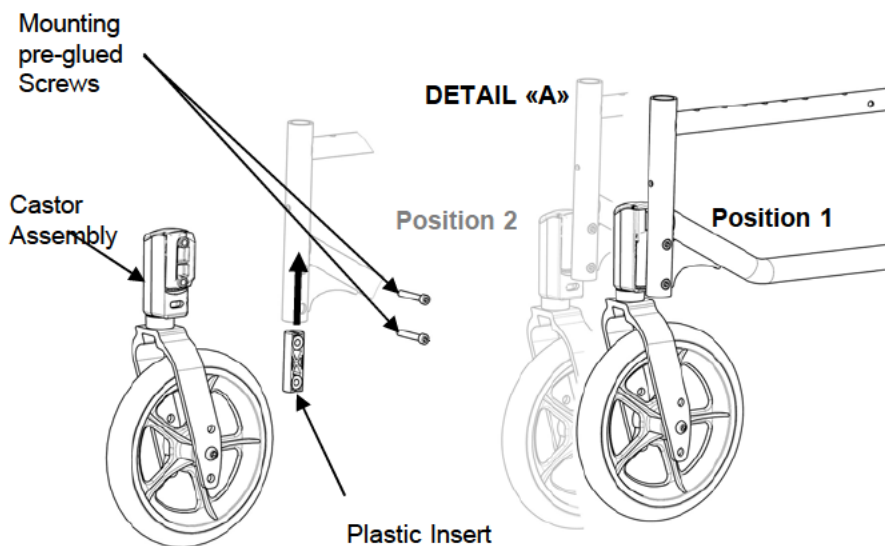


FIGURE 5.11 Adjusting Castor Height Position

SECTION 6—SEAT-TO-FLOOR HEIGHT

WARNING

After ANY adjustments, repair, or service and before use, make sure all attaching hardware is fitted and tightened securely - otherwise injury or damage may occur.

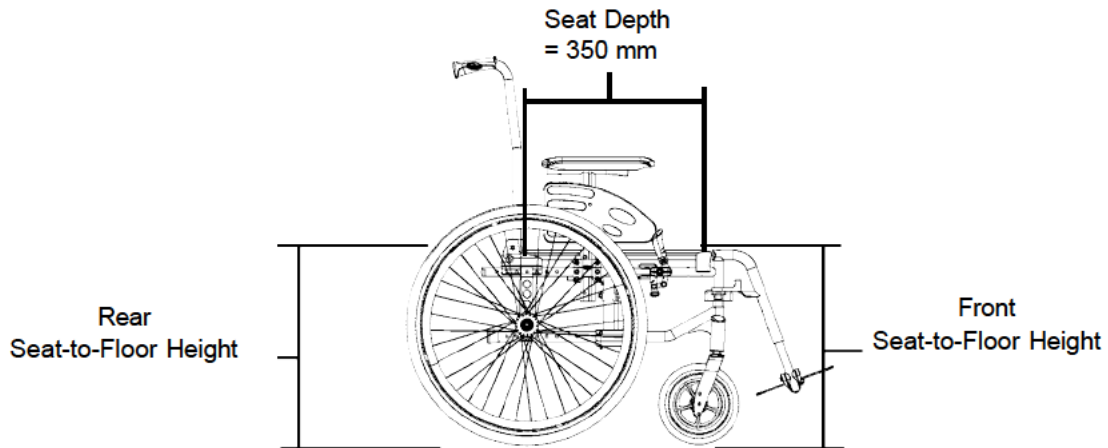
Seat Angle

NOTE: For this procedure, refer to FIGURE 6.1.

NOTE: Refer to Measuring Seat-to-Floor Height paragraph for measuring instructions.

NOTE: Invacare recommends that the rear seat-to-floor height be AT LEAST 25 mm shorter than the front seat-to-floor height. Otherwise, a forward seat angle can occur.

Subtract the rear seat-to-floor height measurement from the front seat-to-floor height measurement to determine the amount of seat angle as shown in the example in FIGURE 6.1.



Example:

460 mm Front Seat-to-Floor Height
 - 415 mm Minus Rear Seat-to-Floor
 Height (5° +/-1°) Equals Seat Angle

FIGURE 6.1 Seat Angle

WARNING

Because of the parts mechanical tolerances and all adjustments possible (+/- 1°) the seat angles possible are 1,5° +/-1° or 5° +/-1° or 8,5° +/-1° depending of the wheelchair assembly. Refer to table "Seat-to-floor heights" paragraph.

Measuring Seat-to-Floor Height

NOTE: For this procedure, refer to FIGURE 6.2.

NOTE: All measurements are in millimeters. The front and rear seat-to-floor heights are approximate to 6.5 mm due to tire wear and air pressure.

Measuring Front Seat-to-Floor Height

Front Seat-to-Floor Height: Measure the distance between the front of the seat upholstery and the ground/floor.

Measuring Rear Seat-to-Floor Height

NOTE: The rear seat-to-floor heights are based on pneumatic tires and pneumatic tires with flat free inserts. If wheelchair is equipped with urethane tires, subtract 6.5 mm from the measurement.

Rear Seat-to-Floor Height: Measure distance between the rear of the seat upholstery and the ground/floor.

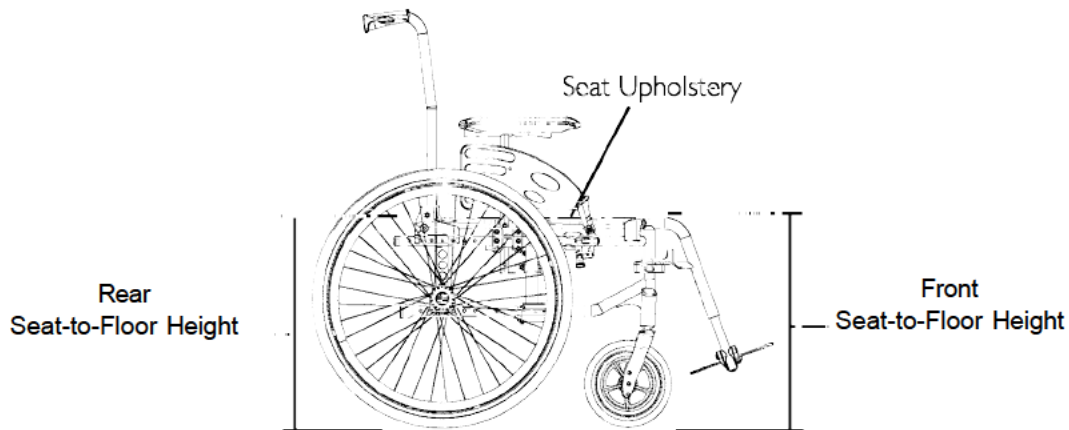


FIGURE 6.2 Seat Angle

Changing Seat-to-Floor Height



WARNING

The seat height, seat depth, back angle, seating system, size/position of the rear wheels, size/position of the front castors, seating options (e.g., headrest, back bag, ...) as well as the user condition directly relate to the stability of the wheelchair. Any change to one or any combination of the nine may cause the wheelchair to decrease in stability. Refer table on page 6.

Always check castor and rear wheel vertical axis is to $90^{\circ} \pm 1^{\circ}$ from the ground.

NOTE: For this procedure, refer to the table to determine adjustment(s) necessary to achieve desired front seat to floor height.

NOTE: To obtain the desired front seat to floor height, it will be necessary to perform one or both of the following:

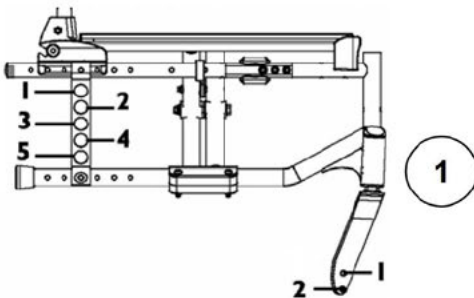
- Changing the castor size and/or mounting position on the fork, and/or seat angle
Refer to Removing/Installing/Repositioning the Castor Assemblies paragraph.
- Changing the fork size or adding/removing height adjustment spacers. Refer to Adjusting Forks paragraph.
- Changing the rear wheel size. Refer to Removing/Installing Rear Wheels paragraph.
- Changing the rear height positioning. Refer to Adjusting Rear Wheel Height paragraph.

CHANGING SEAT-TO-FLOOR HEIGHT

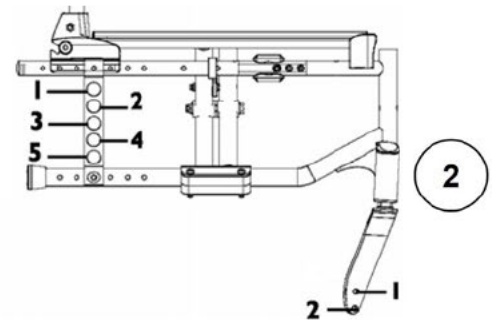
Front Seat Height	Front castor					
	5" x 1"			5" x 1" 3/4		
	Castor Position	Fork Type	Wheel Fixation	Castor Position	Fork Type	Wheel Fixation
460 mm	P2	40 mm	2	P2	60 mm	2
435 mm	P1/P2	(2 holes)	2/1	P1/P2	(2 holes)	2/1
410 mm	P1		1	P1		1

Front Seat Height	Rear Wheel/ Seat angle					
	20"			22"		
	1.5°	5°	8.5°	1.5°	5°	8.5°
460 mm	N/A	5	4	5	4	3
435 mm	5	4	3	4	3	2
410 mm	4	3	2	3	2	1

Front Castor Position P1



Front Castor Position P2



SECTION 7—WHEEL BRAKES

WARNING

After **ANY** adjustments, repair, or service and **BEFORE** use, make sure all attaching hardware is fitted and tightened securely - otherwise injury or damage may occur. Ensure that the clamp assembly is well positioned in its frame located position.

Adjusting Wheel Brakes

*NOTE: When changing the position of the rear wheels, the wheel brakes **MUST** be repositioned.*

NOTE: Before adjusting or replacing the wheel brake assemblies, ensure that the tires are inflated to the recommended BAR, KPa, P.S.I on the side wall of the tire.

Adjusting Wheel Brake Position

NOTE: For this procedure, refer to FIGURE 7.1.

1. Remove the two mounting screws that secures the wheel brake assembly to the wheelchair frame.
2. Remove the wheel brake assembly from the clamp assembly.
3. Move the clamp assembly (if necessary) to the other wheel brake position on the wheelchair frame.
4. Install the wheel brake assembly into the clamp assembly.
5. Secure the wheel brake assembly to the wheelchair frame with the two mounting screws.
6. Repeat STEPS 1 to 6 for the other wheel brake assembly.

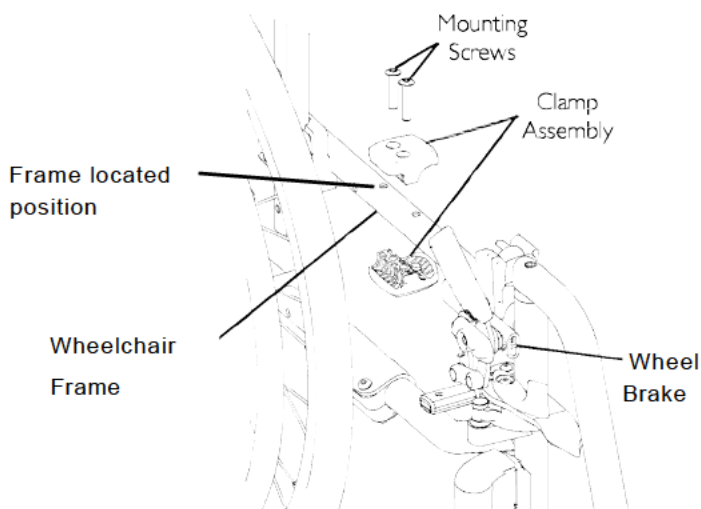


FIGURE 7.1 Adjusting Wheel Brakes - Adjusting Wheel Brake Position

Adjusting Wheel Brake Tension

NOTE: For this procedure, refer to FIGURE 7.2.

1. Loosen, but DO NOT remove the two set screws (Detail –A–) that secure the wheel brake assembly to the wheelchair frame.
2. Measure the distance between the wheel brake shoe and the rear wheel.
3. Slide the wheel lock along the wheelchair frame until the measurement is 4 mm for solid tire and for pneumatic.
4. Securely tighten the two set screws (Detail –A–).
5. Repeat STEPS 1-4 for the opposite wheel brake.
6. Engage the wheel brakes and push against the wheelchair to determine if the wheel brakes engage the rear wheels enough to hold the occupied wheelchair.
7. Repeat STEPS 1-6 until the wheel brakes engage the rear wheels enough to hold the occupied wheelchair.

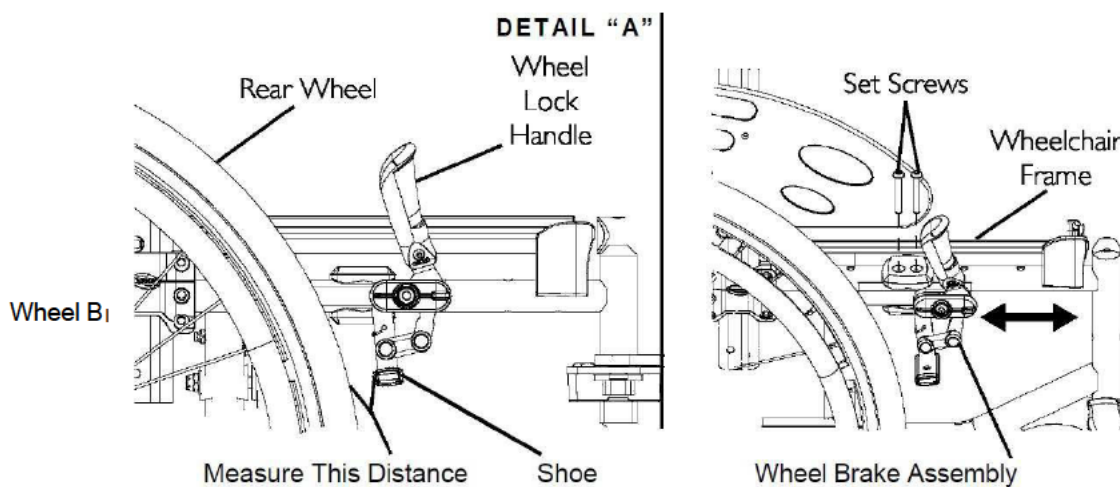


FIGURE 7.2 Adjusting Wheel Brakes- Adjusting Wheel Brake Tension

Replacing Wheel Brake Handle

NOTE: For this procedure, refer to FIGURE 7.3.

1. Remove the mounting screw and locknut that secures the wheel brake handle to the wheel brake assembly.
2. Remove the wheel brake handle and discard.
3. Align the new wheel brake handle with the wheel brake assembly.
4. Secure the new wheel brake handle with the mounting screw and locknut.
5. If necessary, repeat STEPS 1 to 4 for the other wheel brake.

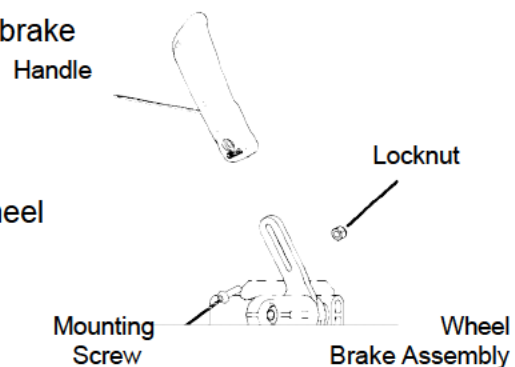


FIGURE 7.3 Replacing Wheel Brake Handle

⚠ **WARNING**

After ANY adjustments, repair, or service and BEFORE use, make sure all attaching hardware is fitted and tightened securely - otherwise injury or damage may occur.

Always operate the two brakes simultaneously and do not take slopes exceeding 7° to ensure perfect control of the wheelchair steering.

Hub brakes are running brakes only, always use the manual brakes to secure the wheelchair during short or long stops.

Ensure both hub brakes are adjusted to the same mounting hole.

Installing/Adjusting Hub Brakes

NOTE: After adjusting or replacing the hub brake assemblies, ensure that the tires are inflated to the recommended BAR, KPa, P.S.I on the side wall of the tire.

Installing Hub Brakes

NOTE: For this procedure, refer to FIGURE 7.4, next page.

1. Remove the rear wheel. Refer to Removing/Installing Rear Wheels paragraph.
2. Remove the locknut and washer that secures the axle bracket to the axle plate.
3. Thread a brake shoe support on a QR axle bush support then add spacer HB.
4. Present the mounting set-in front of the axle plate outside of the chair, by directing the brake shoe support following the plan opposite then insert the anti-rotating spacer between the pin of the brake shoes support and the hole of the axle support.
5. Align the hub brake set with one of the five adjustment holes on the axle plate.
6. Secure the hub brake set to the axle plate, at the desired height, with the locknut and washer.

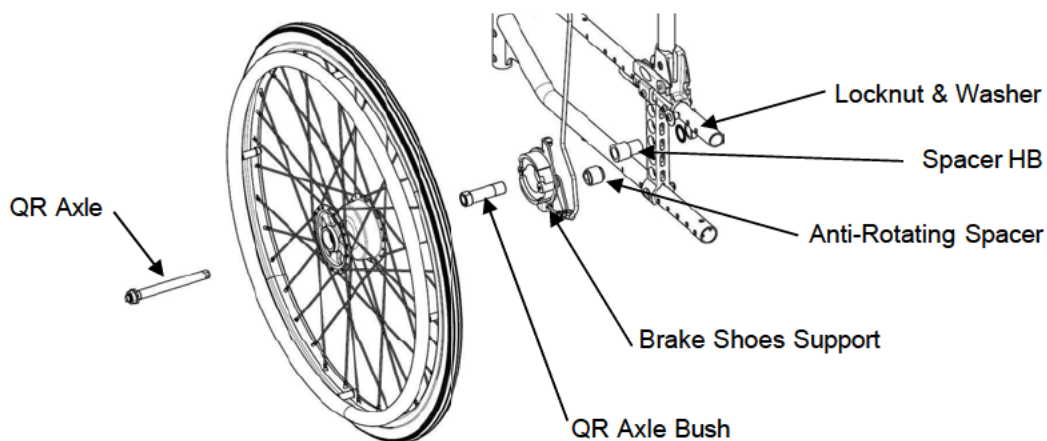


FIGURE 7.4 Installing Hub Brakes

Installing/Adjusting Hub Brake

7. Repeat STEPS 1 to 6 for the other rear wheel.

Installing/adjusting Hub Brake

NOTE: For this procedure, refer to FIGURE 7.5.

1. Install the hub brake lever with the cable on the backrest canes.
2. Secure the cable to the lever of the brake shoes support by tightening the cable bolt
3. Adjust the cable tension to desire brake effort by screw/unscrew the tensional bolt situated on the brake shoes support.
4. Repeat STEPS 1 to 3 for the other side

NOTE: the cable adjustment MUST have the same brake effect on both sides.

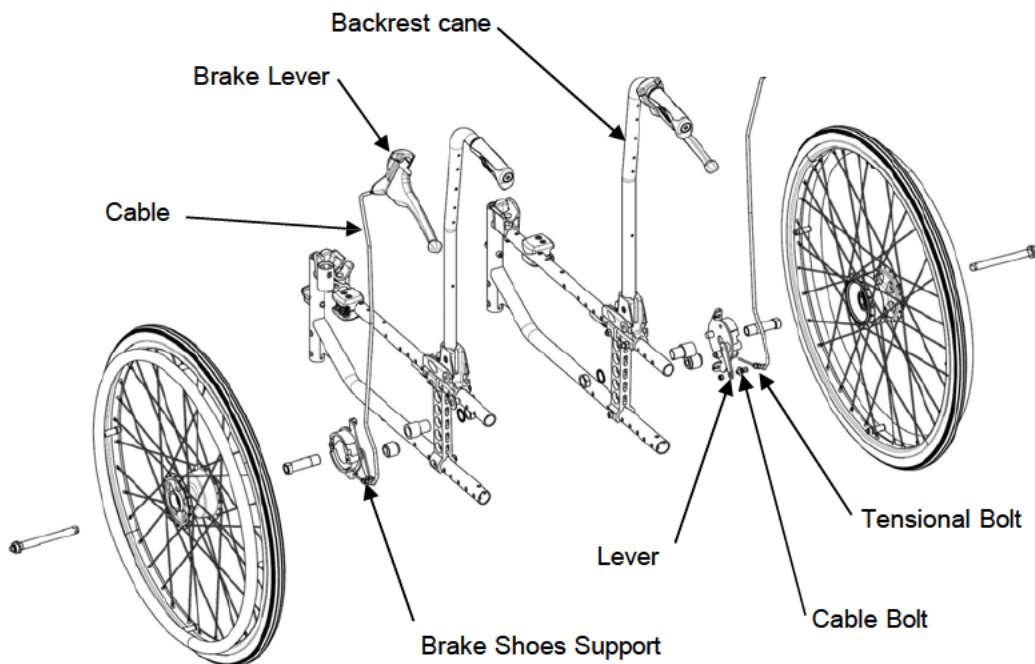



FIGURE 7.5 Installing/Adjusting Hub Brake

SECTION 8—OPTIONS

 **WARNING**

After ANY adjustments, repair, or service and BEFORE use, make sure all attaching hardware is fitted and tightened securely - otherwise injury or damage may occur.

When adjusting the depth of the Swing Away Tray, make sure not to squeeze the stomach of the user.

Installing/Adjusting Swing Away Tray

Installing Swing Away Tray

NOTE: For this procedure, refer to FIGURE 8.1.

1. Install the “T” support tray (B) on the vertical tube of the armrest with the two bolts (M5).
2. Insert the tube (A) of the Swing Away Tray into its support (B) below the arm pad.
3. Slide the Swing Away Tray forwards or backwards to adjust to the required depth.
4. Firmly tighten the knob (C).
5. Adjust the Swing Away Tray sideways thanks to the four mounting screws

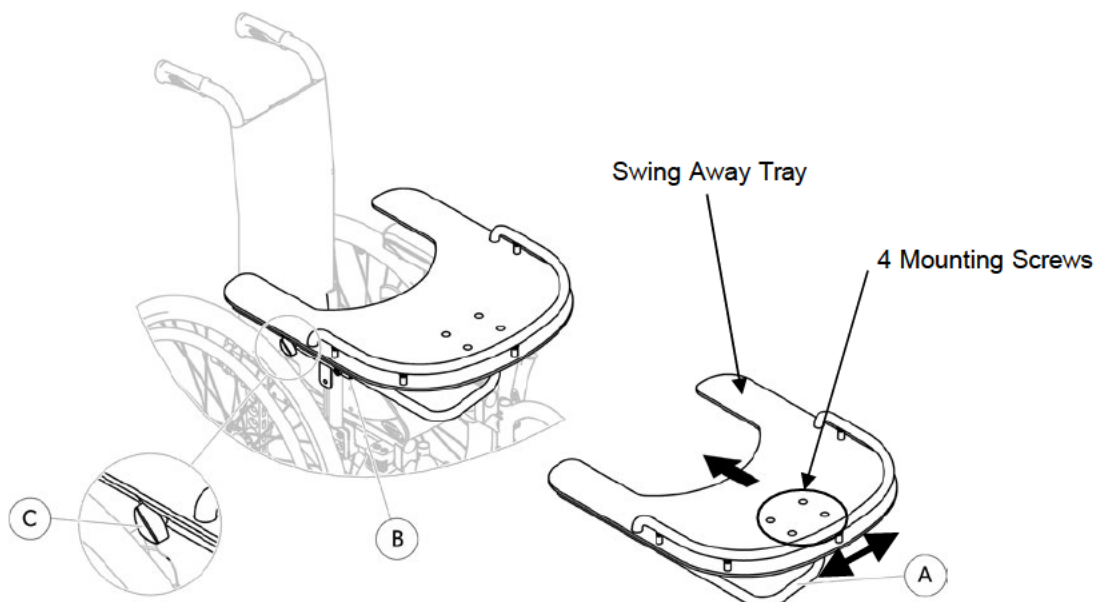


FIGURE 8.1 Installing /Adjusting Swing Away Tray

Installing/Adjusting Headrest

⚠ WARNING

After ANY adjustments, repair, or service and before use, make sure all attaching hardware is fitted and tightened securely - otherwise injury or damage may occur.

Installing Headrest

NOTE: For this procedure, refer to FIGURE 8.2.

1. Install the back brace. Refer to Installing/removing the back-brace paragraph.
2. Set the Headrest bracket (mounting bolts and headrest bracket) in the fixing holes on the back-brace tube.
3. Loosen the handle (A) and the two screws (B).
4. Adjust the height; depth and angle of the headrest by moving the scissor brackets to the desired position.
5. Re-tighten the handle (A) and the screws (B) (5–6 Nm).
6. Adjust the angle of the “wings” by unzipping the headrest zip and loosening the adjusting screws.
7. Set the required angle and close the headrest zip.

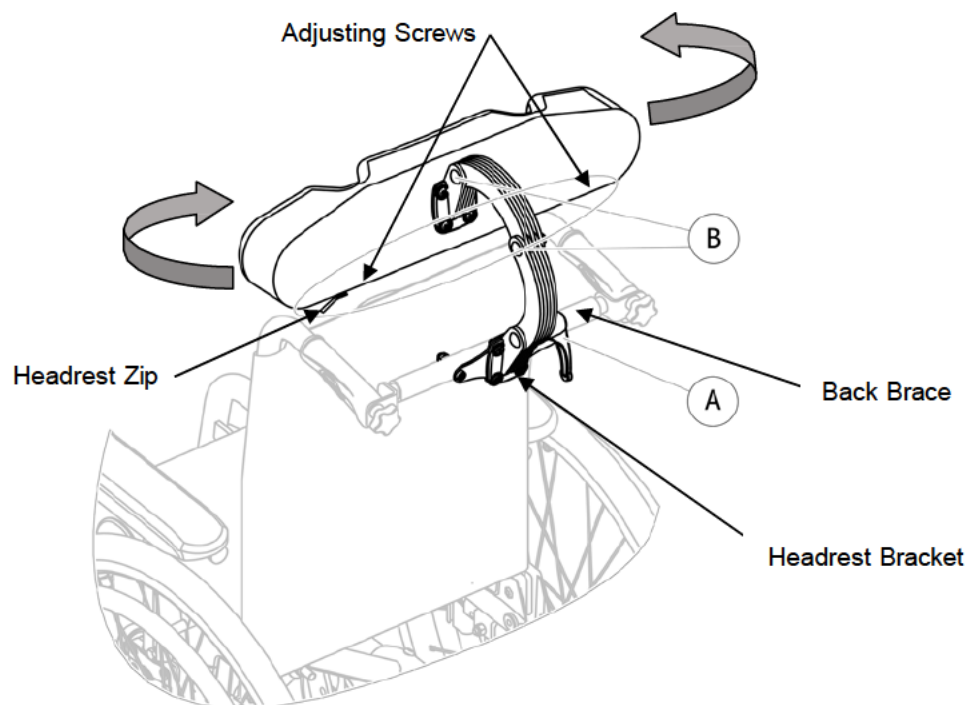


FIGURE 8.2 Installing Headrest

SECTION 9—ANTI-TIPPERS

WARNING

After **ANY** adjustments, repair, or service and **BEFORE** use, make sure all attaching hardware is fitted and tightened securely - otherwise injury or damage may occur.

Anti-tippers **MUST** be attached always. Since the anti-tippers are an option on this wheelchair (you may order it with or without the anti-tippers), Invacare strongly recommends ordering the anti-tippers as an additional safeguard for the wheelchair user.

Anti-tippers **MUST** be fully engaged and release buttons fully protruding out of adjustment holes.

Ensure both anti-tippers are adjusted to the same mounting hole.

Installing/Adjusting simple Anti-Tippers

Installing Anti-Tippers

NOTE: For this procedure, refer to FIGURE 9.1.

1. Press release buttons in and insert anti-tippers with the anti-tipper wheels pointing toward ground/floor into the rear frame tubing until bottom release button locks in place.
2. Measure the distance between the bottom of the anti-tipper wheels and the ground/floor.

NOTE: A 30 to 50 mm clearance between the bottom of the anti-tipper wheels and the ground/floor MUST always be maintained.

3. If the distance between the bottom of anti-tipper wheels and the ground/floor is not 30 to 50 mm, adjust anti-tippers.

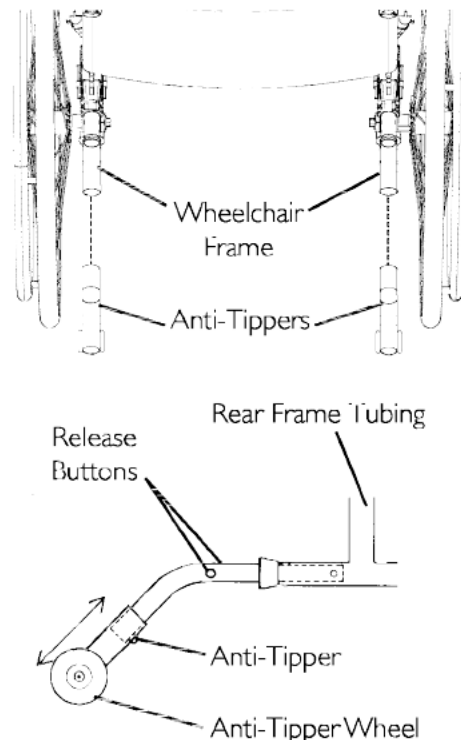


FIGURE 9.1 Installing Simple Anti-Tippers

NOTE: Make sure that the anti-tipper wheel is ALWAYS located outside the rear wheel volume (50 mm Minimum); refer to FIGURE 9.3.

Installing/Adjusting Anti-Tippers with Tipping Aid

Installing Anti-Tippers with Tipping Aid

NOTE: For this procedure, refer to FIGURE 9.2.

1. Insert anti-tippers with the anti-tipper wheels pointing toward ground/floor into the rear frame tubing until anti-tippers vertical hole appear in the frame vertical hole.
2. Secure the anti-tippers with the mounting set (screw, washer and locking nut) to the wheel chair frame.
3. Measure the distance between the bottom of the anti-tipper wheels and the ground/floor.

NOTE: A 30 to 50 mm clearance between the bottom of the anti-tipper wheels and the ground/floor MUST always be maintained.

4. If the distance between the bottom of anti-tipper wheels and the ground/floor is not 30 to 50 mm, adjust anti-tippers by push down the large washer (refer to detail "A").

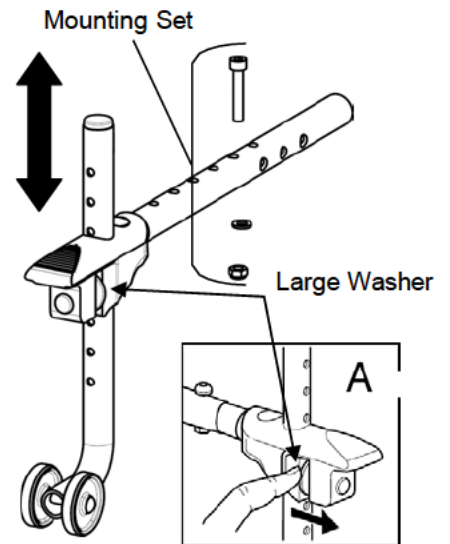



FIGURE 9.2
Installing Anti-Tippers with
Tipping Aid

Adjusting Anti-Tippers

NOTE: For this procedure, refer to FIGURE 9.3.

 **WARNING**

When anti-tippers are used, anti-tippers **MUST** be adjusted to maintain a 30 to 50 mm clearance between the bottom of the anti-tipper wheels and the ground/ floor. This spacing should always be checked whenever adjustments/changes are made to the wheelchair.

Make sure that the anti-tipper wheel is **ALWAYS** located outside the rear wheel volume.

Failure to maintain proper spacing may result in the chair tipping over backward causing serious injury or property damage

1. Press the release buttons on the wheeled portion of the anti-tipper and slide it up or down to achieve the 30 to 50 mm clearance.
2. Check to make sure that the release buttons are fully engaged in adjustment holes.

NOTE: Make sure that the anti-tipper wheel is ALWAYS located outside the rear wheel volume (50 mm Minimum); refer to FIGURE 9.3.

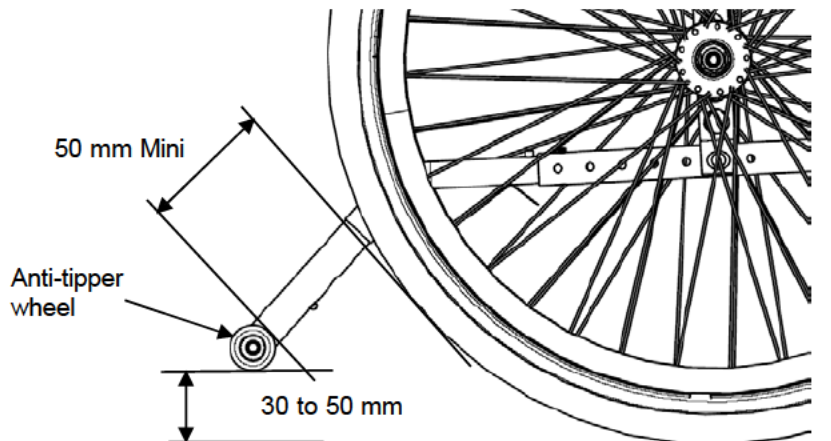


FIGURE 9.3 Adjusting Anti-Tippers

SECTION 10—PERIODIC MAINTENANCE GUIDELINES

NOTE: Always clean the wheelchair before any inspection/adjustment. Regular cleaning will reveal loose or worn parts and enhance the smooth operation of the wheelchair.

Initial Inspection:

Initial adjustments should be made to suit the personal body structure needs and preferences of the user:

Inspect/Adjust Initially

- Wheelchair rolls straight (no excessive drag or pull to one side).
- Ensure all hardware is tight (see page 6).
- All fasteners on clothing guards are secure.
- Arms are secure but easy to release and locking systems engage properly.
- Adjustable height arms operate and lock securely.
- Armrest armpad sits flush against arm tube.
- Seat and/or back upholstery have no rips.
- Inspect adjustable angle back attaching hardware is securely tightened.
- Ensure hand grips are secure to backrest canes.
- Sealed bearings and axle nut tension are correct.
- No excessive side movement or binding when rear wheels are lifted and spun.
- Quick-release axles lock properly (see page 27).
- Inspect handrims for signs of rough edges or peeling finish.
- Inspect for broken spokes.
- Wheel/fork assembly has proper tension when caster is spun. Caster should come to a gradual stop.
- Wheel bearings are clean and free of moisture.
- Loosen/tighten locknut if wheel wobbles noticeably or binds to a stop.
- Ensure all caster/wheel/fork/head tube fasteners are secure (see pages 6 & 33).
- Wheel brakes do not interfere with tires when rolling.
- Wheel brakes pivot point are free of wear and looseness.
- Wheel brakes are easy to engage.
- Inspect tires/casters for flat spots and wear.
- Check pneumatic tires for proper inflation (recommended tire pressure is listed on the side wall of the tire).
- Ensure axles are free from dirt, lint, etc.
- Ensure roller bearings are free from dirt, lint, etc.
- Adjust wheel brakes as tires wear.
- Clean and wax all parts.
- Clean upholstery and armrests.
- Ensure casters are free of debris.

Inspect/Adjust Weekly

- Wheelchair rolls straight (no excessive drag or pull to one side).
- Quick-release axles lock properly (see page 27).
- Inspect for broken spokes. Adjustment/replacement.
- Wheel/fork assembly has proper tension when caster is spun. Caster should come to a gradual stop.
- Inspect tires/casters for flat spots and wear.
- Check pneumatic tires for proper inflation (recommended tire pressure is listed on the side wall of the tire).
- Ensure casters are free of debris.

Inspect/Adjust Monthly

- Inspect seat positioning strap for any signs of wear. Ensure buckle latches. Verify hardware that attaches strap to frame is secure and undamaged. Replace if necessary.
- Loosen/tighten locknut if wheel wobbles noticeably or binds to a stop.
- Wheel bearings are clean and free of moisture.
- Wheel brakes do not interfere with tires when rolling.
- Wheel brake pivot point are free of wear and looseness.
- Ensure all caster/wheel/fork/head tube fasteners are secure (see pages 6 & 33).
- Ensure all hardware is tight (see page 6).
- Ensure hand grips are secure to backrest canes.
- Ensure casters are free of debris.

Inspect/Adjust every twelve months (1)

- Wheelchair rolls straight (no excessive drag or pull to one side).
- Arms are secure but easy to release and locking systems engage properly.
- Adjustable height arms operate and lock securely.
- Armrest armpad sits flush against arm tube.
- All fasteners on clothing guards are secure.
- Seat and/or back upholstery have no rips.
- Inspect the backrest attaching hardware and mechanisms are securely tightened.
- No excessive side movement or binding when rear wheels are lifted and spun.
- Inspect handrims for signs of rough edges or peeling finish.
- Inspect side frame and cross brace for signs of cracks, flaked paint or deformed metal work.
- Inspect tires/casters for flat spots and wear.
- Check pneumatic tires for proper inflation (recommended tire pressure is listed on the side wall of the tire).

Inspect/Adjust every twelve months (2)

- Wheel brake pivot point are free of wear and looseness.
- Clean upholstery and armrests.
- Sealed bearings and axle nut tension are correct.
- Wheel/fork assembly has proper tension when caster is spun. Caster should come to a gradual stop.
- Loosen/tighten locknut if wheel wobbles noticeably or binds to a stop.
- Wheel bearings are clean and free of moisture.
- Wheel brakes are easy to engage.
- Clean Quick-Release axles with a Teflon lubricant.
- Ensure axles are free from dirt, lint, etc.
- Ensure roller bearings are free from dirt, lint, etc.
- Adjust wheel brakes as tires wear.
- Clean and wax all parts.
- Ensure caste

**United Kingdom:**

Invacare Limited
Pencoed Technology Park, Pencoed
Bridgend CF35 5AQ
Tel: (44) (0) 1656 776 200
Tel: (44) (0) 1656 776 200
uk@invacare.com
www.invacare.co.uk

New Zealand:

Invacare New Zealand Ltd
4 Westfield Place, Mt Wellington
1060
New Zealand
Phone: 0800 468 222
Fax: 0800 807 788
sales@invacare.co.nz

Ireland:

Invacare Ireland Ltd,
Unit 5 Seatown Business Campus
Seatown Road, Swords, County Dublin
EirCode: K67 K271 — Ireland
Tel : (353) 1 810 7084
Fax: (353) 1 810 7085
ordersireland@invacare.com

Asia:

Invacare Asia Ltd.
Unit 18/12 Stanton Road,
Seven Hills, NSW 2147
Australia
Phone: (61) (02) 8839 5333
Fax: (61) (02) 8839 5343
asiasales@invacare.com

Australia:

Invacare Australia Pty. Ltd.
Unit 18/12 Stanton Road,
Seven Hills, NSW 2147,
Australia
Phone: 1800 460 460
Fax: 1800 814 367
orders@invacare.com.au

1638509-F

2025-02-26



Invacare France Operations SAS
Route de St Roch
37230 Fondettes,
France



Yes, you can.